

# 808

## TABLE & FLOOR LAMP

Design  
Sustainability  
Value



808-TL Shown in Satin Aluminum Finish with Cream Linen shade.



print this page



email this page to a colleague



installation instructions



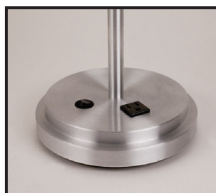
interactive submittal drawing



application photos



Dimming switch.



### FEATURES

- Transitional style that fits traditional & modern spaces.
- Soft glare-free task/ambient light.
- Choice of 6 different fabrics.
- Optional Convenience Outlet shown at left.

### MATERIALS

- Solid brass or aluminum metal work, hand finished.
- Fabric shade.
- White or black cord & plug.

### FINISHES

- SAL** Satin Aluminum
- SB** Satin Brass
- AB** Antique Brass

Standard metal finishes are hand satined and either waxed or sealed with a water-based clear coat. Other metal finishes are available. Contact factory.

### LAMPS

**CF:** One CF 26 triple twin tube 4-pin, 2700K, non-amalgam, lamp supplied with table and floor lamp. Ballast will operate 26 or 32W triple tube lamps.

Note that only 26W lamp is supplied.

**LED:** 1-GU24 base A-lamp, 12W, 1100 lumens, 3000K, 80+ CRI, supplied.

### BALLAST

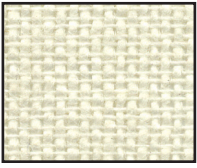
Electronic HPF, Class P, Sound Rated A, with end-of-lamp-life circuitry and thermal protection.

### ECO INFO

**METALS:** Aluminum and brass with the highest available recycled content for lower embodied energy. Both metals are valuable and recyclable at the end of the product's useful life. For more information see "GENERAL INFO"

**FINISHING:** Aluminum and Antique Brass finishes are sealed with a hand-applied bees wax. No paint or lacquer is used in order to avoid pollution associated with the manufacture and application of these substances. Satin Brass is clear-coated with a very low VOC water-based coating. Paint finishes are low VOC and oven cured.

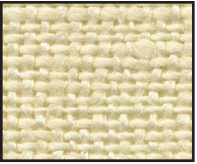
**ENERGY:** Designed exclusively for compact fluorescent lamps using HPF electronic ballasts.



**STANDARD FABRIC**  
Cream Linen

NOTE: All fabrics shown greater than actual size.

**OPTIONAL FABRICS:** Imported 100% flax linen.



VAN Vanilla



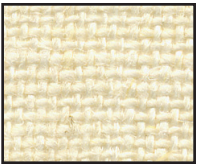
WHT White



OAT Oatmeal

**OPTIONAL ECO-FABRICS:**

Sustainably produced hemp and organic cotton.



CRH Cream Hemp

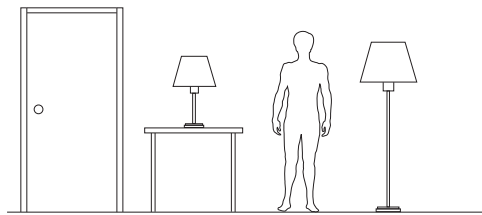
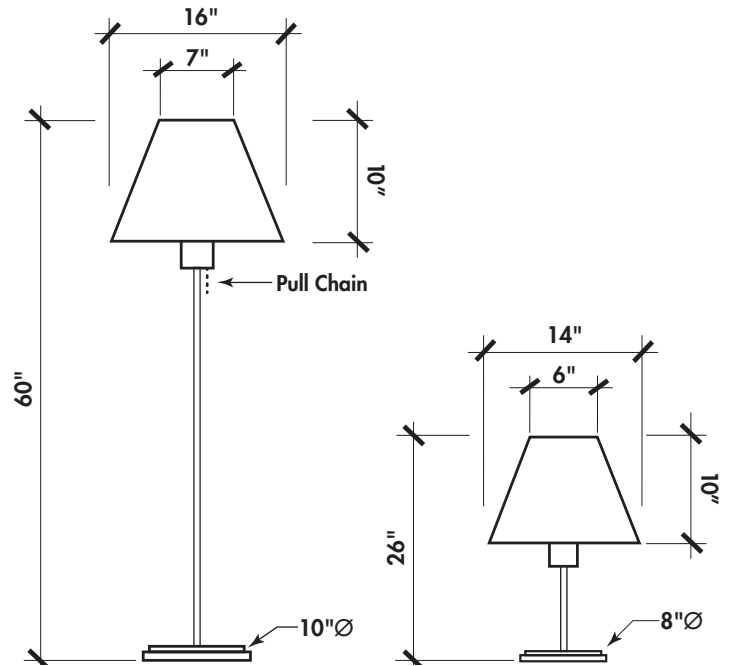


HOC Hemp/  
Organic Cotton

Click **HERE** to learn more about shade fabrics

# 808-FL FLOOR LAMP

This floor lamp version of this transitional design produces the same soft, comfortable light, excellent energy efficiency and unique sustainability benefits as the table lamp counterpart.



### OPTIONS

**FABRIC SHADE:** Standard, or default, shade is Cream Linen. Optional shade fabrics are shown above. Call factory for other fabrics.

**CORD:** Two conductor cord with polarized plug available in black or white. Specify **BLK** or **WHT**.

**DIMMING:** Electronic dimming ballast with 100-15% dimming range. (See front photo.)

**NO SHADE:** For those that want to use a shade of their own choosing, specify **NS**.

**CONVENIENCE OUTLET:** Electrical power outlet integral to the base available. Specify **CO**. (See photo on first catalog page.)

### VARIATIONS / MODIFICATIONS

- Mixed or special finishes
- Variation in overall height
- Special shade or no shade.

NOTE: Both the table lamp & floor lamp are available for fixed-base mounting and with or without a switch.

## SPEC GUIDE

SAMPLE SPEC: 808-TL-CF1/26-SB-WHT-LS-CO

CAT#	LAMP	FINISH	CORD	OPTIONS
<input type="checkbox"/> 808-TL	<input type="checkbox"/> CF1/26	<input type="checkbox"/> SAL	<input type="checkbox"/> BLK	<input type="checkbox"/> LS
<input type="checkbox"/> 808-FL	<input type="checkbox"/> LED/12	<input type="checkbox"/> SB	<input type="checkbox"/> WHT	<input type="checkbox"/> NS
		<input type="checkbox"/> AB		<input type="checkbox"/> DIM
				<input type="checkbox"/> CO (Conv. Outlet)



Our fixtures are handcrafted here in the USA using the highest quality materials.

