

805 LED

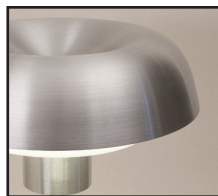
TABLE & FLOOR LAMP

Design
Sustainability
Value



Design: Randy Borden

805-TL shown in Satin Aluminum



print this page



email this page to a colleague



installation instructions



interactive submittal drawing

FEATURES

- Purpose built for LED only.
- Soft, glare-free indirect task/ambient light.
- Smooth, wide distribution.

MATERIALS

- Solid brass or aluminum metal work, hand finished.
- White or black cord & plug.

FINISHES

- SAL** Satin Aluminum
SB Satin Brass
AB Antique Brass

Standard metal finishes are hand satined and either waxed or sealed with a water-based clear coat. Other metal finishes are available. Contact factory.

LAMPS

1-12W LED array; 1350 lumens for the Table Lamp. 1-17W LED array, 1850 lumens for the Floor Lamp. Both arrays are 3000K, 82 CRI. LED arrays are supplied, mounted in a holder and are replaceable.

DRIVER

Integral HPF electronic 24V driver, 120V only.
 Dimming not available at this time.

ECO INFO

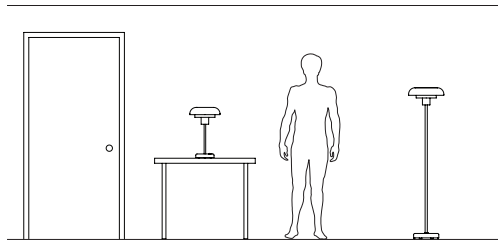
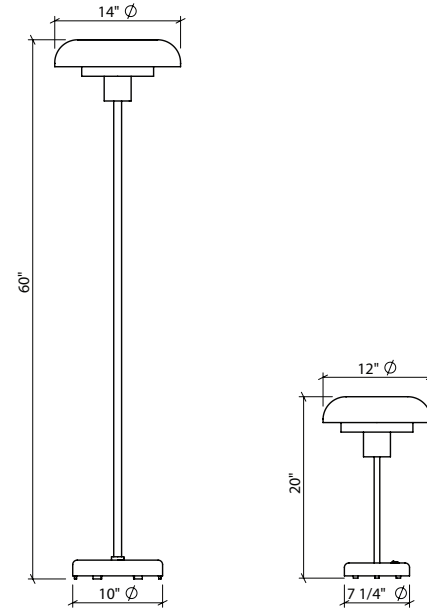
METALS: Aluminum and brass with the highest available recycled content for lower embodied energy. Both metals are valuable and recyclable at the end of the product's useful life. For more information see "GENERAL INFO"

FINISHING: Aluminum and Antique Brass finishes are sealed with a hand-applied bees wax. No paint or lacquer is used in order to avoid pollution associated with the manufacture and application of these substances. Satin Brass is clear-coated with a very low VOC water-based coating. Paint finishes are low VOC and oven cured.

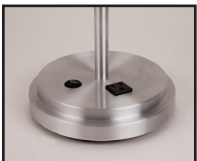
ENERGY: Designed exclusively for high efficacy LED.

805-FL FLOOR LAMP

The floor lamp version offers the same glare-free indirect light in a slightly larger scale.



OPTIONS
CORD: Two conductor cord with polarized plug available in black or white. Specify **BLK** or **WHT**.
CONVENIENCE OUTLET: Electrical power outlet integral to the base available. Specify Convenience Outlet **CO**. (See photo below.)



VARIATIONS / MODIFICATIONS

- Mixed or special finishes
- Variation in overall height

NOTE: Both the table lamp & floor lamp are available for fixed-base mounting and with or without a switch.

SPEC GUIDE SAMPLE SPEC: 805-TL-LED/13-SAL-WHT

CAT#	LAMP	FINISH	CORD	OPTIONS
<input type="checkbox"/> 805-TL	<input type="checkbox"/> LED 12	<input type="checkbox"/> SAL	<input type="checkbox"/> BLK	<input type="checkbox"/> CO (Conv. Outlet)
<input type="checkbox"/> 805-FL	<input type="checkbox"/> LED 18	<input type="checkbox"/> SB	<input type="checkbox"/> WHT	
		<input type="checkbox"/> AB		



Our fixtures are handcrafted here in the USA using the highest quality materials.

