

# 803 LED

## TABLE & FLOOR LAMP

Design  
Sustainability  
Value



Design: Randy Borden

803-TL shown in Antique Brass & Oatmeal Shade.



print this page



email this page to a colleague



installation instructions



interactive submittal drawing

### COMPANIONS



### FEATURES

- Purpose built for LED only.
- Soft, glare-free indirect task/ambient light.
- Choice of 6 different fabrics.

### ECO INFO

**METALS:** Aluminum and brass with the highest available recycled content for lower embodied energy. Both metals are valuable and recyclable at the end of the product's useful life. For more information see "GENERAL INFO"

**FINISHING:** Aluminum and Antique Brass finishes are sealed with a hand-applied bees wax. No paint or lacquer is used in order to avoid pollution associated with the manufacture and application of these substances. Satin Brass is clear-coated with a very low VOC water-based coating. Paint finishes are low VOC and oven cured.

**ENERGY:** Designed exclusively for high efficacy LED.

### MATERIALS

- Solid brass or aluminum metal work, hand finished.
- Fabric drum shade.
- White or black cord & plug.

### FINISHES

- SAL** Satin Aluminum  
**SB** Satin Brass  
**AB** Antique Brass

Standard metal finishes are hand satined and either waxed or sealed with a water-based clear coat. Other metal finishes are available. Contact factory.

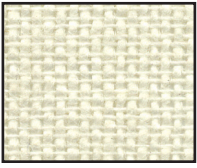
### LAMPS

1-12W LED array, 1350 lumens; 3000K, 82 CRI. LED arrays are supplied, are mounted in a holder and are replaceable.

### DRIVER

Integral HPF electronic 24V driver, 120V only.

Dimming not available at this time.



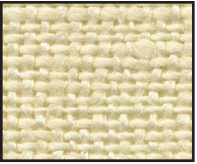
### STANDARD FABRIC

Cream Linen

NOTE: All fabrics shown greater than actual size.

### OPTIONAL FABRICS:

Imported 100% flax linen.



VAN Vanilla



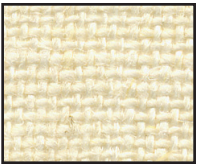
WHT White



OAT Oatmeal

### OPTIONAL ECO-FABRICS:

Sustainably produced hemp and organic cotton.



CRH Cream Hemp

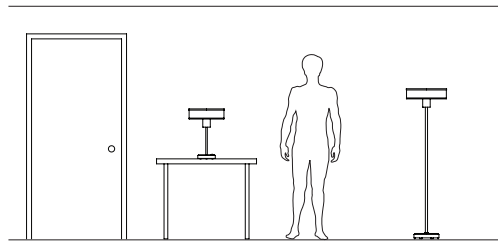
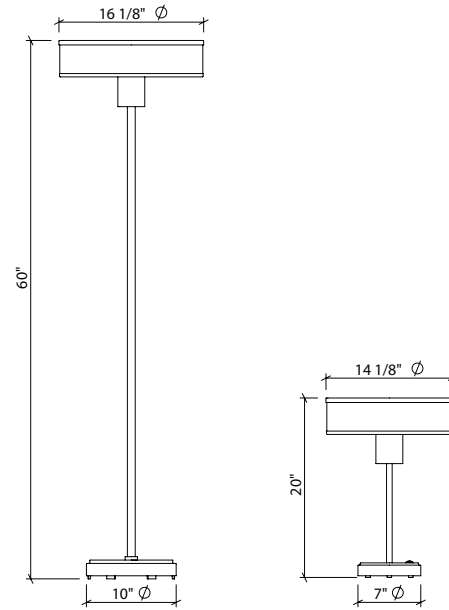


HOC Hemp/  
Organic Cotton

Click **HERE** to learn more about shade fabrics

## 803-FL FLOOR LAMP

The floor lamp version provides the same soft, glare-free light. See the dimensions below.

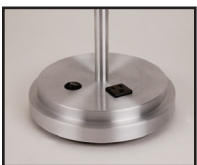


### OPTIONS

**FABRIC SHADE:** Standard, or default, shade is Cream Linen. Optional shade fabrics are shown above. Call factory for other fabrics.

**CORD:** Two conductor cord with polarized plug available in black or white. Specify **BLK** or **WHT**.

**CONVENIENCE OUTLET:** Electrical power outlet integral to the base available. Specify Convenience Outlet **CO**. (See photo below.)



### VARIATIONS / MODIFICATIONS

- Mixed or special finishes
- Variation in overall height

NOTE: Both the table lamp & floor lamp are available for fixed-base mounting and with or without a switch.

## SPEC GUIDE

SAMPLE SPEC: 803-LED/18-SAL-BLK-OAT

CAT#	LAMP	FINISH	CORD	OPTIONS
<input type="checkbox"/> 803-TL	<input type="checkbox"/> LED/12	<input type="checkbox"/> SAL	<input type="checkbox"/> BLK	<input type="checkbox"/> VAN (Vanilla)
<input type="checkbox"/> 803-FL		<input type="checkbox"/> SB	<input type="checkbox"/> WHT	<input type="checkbox"/> WHT (White)
		<input type="checkbox"/> AB		<input type="checkbox"/> OAT (Oatmeal)
				<input type="checkbox"/> CO (Conv. Outlet)



Our fixtures are handcrafted here in the USA using the highest quality materials.



999 Montague St • San Leandro, CA 94577 • ph 510.357.0171 • fax 510.357.3832 • www.bordenlighting.com