



362-18 362-24

LUMINOUS BOWL

Design
Sustainability
Value



print this page



email this page to a colleague



installation instructions



interactive submittal drawing



application photos

COMPANION



FEATURES

- Simple, clean design.
- Luminous bowl with downlight component.
- Available in two sizes.
- Available with metal stem.
- Tool-free relamping.

MATERIALS

- Solid brass or aluminum metal work, hand finished.
- Luminous bowl is white acrylic with a matte finish.

FINISHES

SAL Satin Aluminum

SB Satin Brass

CCP Custom Color Painted finish

Standard metal finishes are hand satined and either waxed or sealed with a water-based clear coat. Other metal finishes are available. Contact factory.

LAMPING

362-18: 1-CF26W or 32WTTT, Gx24q base.

362-24: 1-CF26, 32, 42 or 57WTTT, Gx24q base,
except Gx24q-5 for 57W.

Lamps not included.

BALLAST

Integral electronic HPF, 120V/277V.

See "GENERAL INFO" for more detail.

ECO INFO

METALS: Aluminum and brass with the highest available recycled content for lower embodied energy. Both metals are valuable and recyclable at the end of the products useful life. For more information see "GENERAL INFO"

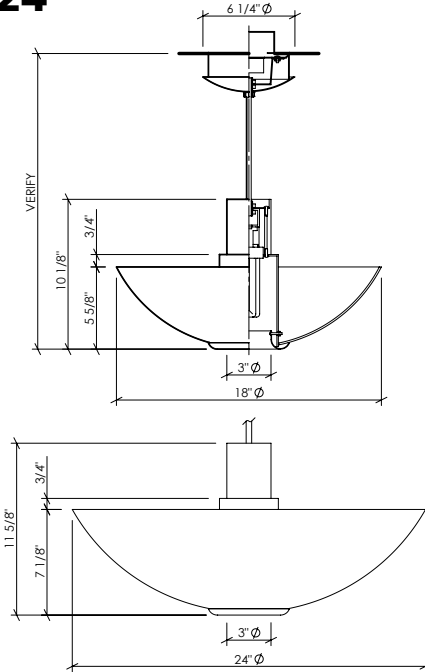
FINISHING: Aluminum and Antique Brass finishes are sealed with a hand-applied bees wax. No paint or lacquer is used in order to avoid pollution associated with the manufacture and application of these substances. Satin Brass is clear-coated with a very low VOC water-based coating. Paint finishes are low VOC and oven cured.

ENERGY: Designed exclusively for compact fluorescent lamps using HPF electronic ballasts.



Shown with optional faux finish

362-18 362-24



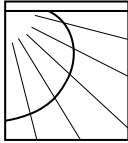
OPTIONS

FAUX: Hand applied faux finish available. Specify **FAUX**.

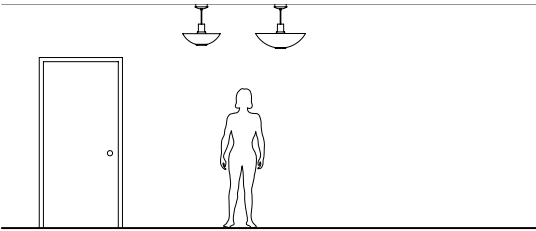
STEM: Available with a metal stem & swivel canopy, specify **STEM**.

DIMMING: Our standard dimming electronic ballast has range of 100-15%, 120 volt only. (Not available for 57W lamp.) Ballast dimmable from any incandescent dimmer. Other dimming ballasts available.

EMERGENCY BATTERY PACK: Remote mounted EBP, specify **REM**.



PHOTOMETRICS
Lighting Sciences Report 22544
Fixture Efficiency: 74.1%



HANG HEIGHT: Standard overall hang height is 24" (ceiling to bottom of fixture). There is an additional charge for hang heights greater than standard. Minimum recommended is 18"

MOUNTING: Standard J-box or plaster ring.

WEIGHT: 6lbs

VARIATIONS / MODIFICATIONS

- Special finishes
- Addition of decorative detail
- Different bowl size

SPEC GUIDE SAMPLE SPEC: 362-18-CF1/26-120-SB-REM-24"

CAT#	SIZE	LAMPING	VOLT	FINISH	OPTION	QA
<input type="checkbox"/> 362	<input type="checkbox"/> 18 <input type="checkbox"/> 24	<input type="checkbox"/> CF1/26 <input type="checkbox"/> CF1/32 <input type="checkbox"/> CF1/42 <input type="checkbox"/> CF1/57	<input type="checkbox"/> 120 <input type="checkbox"/> 277 <input type="checkbox"/> 120DIM	<input type="checkbox"/> SAL <input type="checkbox"/> SB <input type="checkbox"/> CCP	<input type="checkbox"/> FAUX <input type="checkbox"/> REM <input type="checkbox"/> STEM	<input type="checkbox"/> 24" STD <input type="checkbox"/> SPECIFY

NOTE: Standard electronic ballast for 360-18 is multi-volt and multi-wattage. Fixture will accommodate 26 or 32 watt lamps. For 360-24 ballast is multi-volt only.

