

UPDATED 9/16

323 LED

LUMINOUS PENDANT

Design
Sustainability
Value



print this page



email this page to a colleague

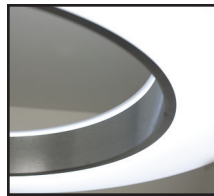


installation instructions



interactive submittal drawing

DESIGN: ALLEN REAVES & KATE MIHELITICH



FEATURES

- Purpose-built for LED.
- Smooth glare-free up & down light.
- See-through ring design delivers both task & ambient light.
- Canopy mounted drivers reduce installation costs.

MATERIALS

- White acrylic with matte finish.
- Aluminum ring and canopy.

FINISHES

SAL Satin Aluminum

MW Matte White

CCP Custom Color Painted finish

MB Matte Black

MBZ Matte Bronze

LAMPING

Constant current LEDs; 32W, 4000 rated lumens or 41W, 6200 rated lumens. LEDs are 3000K & 80+ CRI. Other CCTs available.

DRIVER

Integral electronic drivers are multi-volt 120/277 and are 0-10V dimmable.

ECO INFO

ENERGY: Designed exclusively for LEDs using HPF electronic drivers.

METALS: Aluminum with highest available recycled content for lower embodied energy. Aluminum is valuable and recyclable at the end of the product's useful life. For more information see "GENERAL INFO."

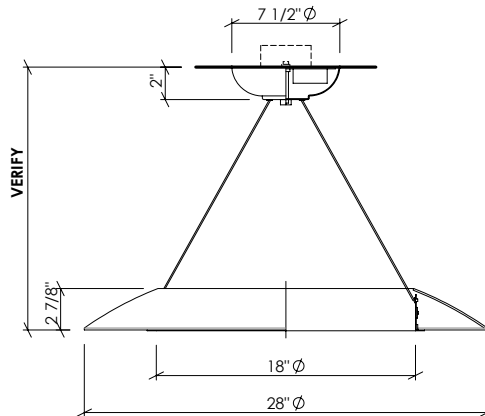
FINISHING: Aluminum finishes are sealed with a hand-applied bees wax. No paing or lacquer is used in order to avoid pollution associated with the manufacture and application of these substances. Paint finishes are low VOC and oven cured.





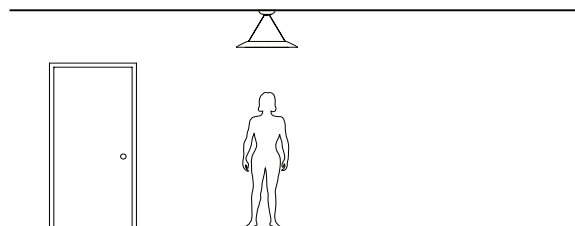
323 UPDATED 9/16

LUMINOUS PENDANT



PHOTOMETRICS

LightLab Report No. LLI-16183-4. 89 Lm/W.
Delivered lumens: 3376. For optional higher lumens, increase light levels 55%.



OPTIONS

EMERGENCY BATTERY PACK: Remote mounted **EBP**, specify **REM**.

MOUNTING: Standard J-box or plaster ring. Safety cable provided.

WEIGHT: 8lbs

NOTE: Integral electronic drivers are multi-volt 120/277 and are 0-10V dimmable.

SPEC GUIDE

SAMPLE SPECS: 323-20-LED/47-120-SAL-18"0A

CAT#	LAMPING	VOLT	FINISH	OPTION	0A
<input type="checkbox"/> 323	<input type="checkbox"/> LED/32 <input type="checkbox"/> LED/41	<input type="checkbox"/> 120 <input type="checkbox"/> 277	<input type="checkbox"/> SAL <input type="checkbox"/> MW <input type="checkbox"/> MB <input type="checkbox"/> MBZ <input type="checkbox"/> CCP	<input type="checkbox"/> REM	<input type="checkbox"/> 24" STD <input type="checkbox"/> SPECIFY



Our fixtures are handcrafted here in the USA using the highest quality materials.

