



Shown in Satin Aluminum



322-24
322-32
322-41 **LEM**
322-46 **LEM**

LUMINOUS BOWL WITH TRIM RING

Design
Sustainability
Value



print this page



email this page to a colleague



installation instructions



interactive submittal drawings

COMPANION



FEATURES

- Transitional design fits contemporary and traditional spaces.
- Available in 24", 32", 41" and 46" diameters.
- Exclusive 45-degree swivel meets California Title 24 requirements
- Solid hand-finished metal construction. (Brass not available for 41" & 46" dia.)

MATERIALS

- Solid brass or aluminum metal work, hand finished. (Note: Solid brass not available for 41" & 46" dia.)
- White acrylic bowl with matte finish.

FINISHES

- SAL** Satin Aluminum
- SB** Satin Brass
- AB** Antique Brass
- CCP** Custom Color Painted finish

Standard metal finishes are hand satined and either waxed or sealed with a water-based clear coat. Other metal finishes are available. Contact factory.

LAMPING

322-24": 4-CF26WTTT, Gx24q base.
322-32": 4-CF26W, CF32W or CF42WTTT, Gx24q base.
322-41" & 46": 4-CF42WTTT (Gx24q base) or CF57WTTT (Gx24q-5 base) or CF70WTTT (Gx24q-6 base)

Lamps not included.

BALLAST

Integral electronic HPF, 120V/277V.
See "GENERAL INFO" for more detail.

ECO INFO

METALS: Aluminum and brass with the highest available recycled content for lower embodied energy. Both metals are valuable and recyclable at the end of the product's useful life. For more information see "GENERAL INFO"

FINISHING: Aluminum and Antique Brass finishes are sealed with a hand-applied bees wax. No paint or lacquer is used in order to avoid pollution associated with the manufacture and application of these substances. Satin Brass is clear-coated with a very low VOC water-based coating. Paint finishes are low VOC and oven cured.

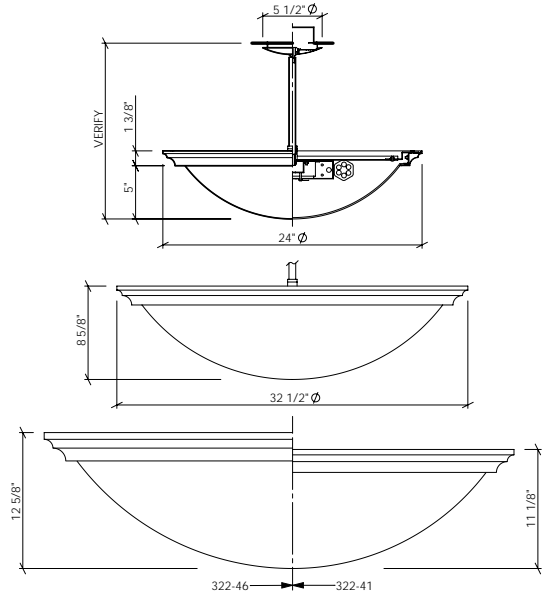
ENERGY: Designed exclusively for compact fluorescent lamps using HPF electronic ballasts.





Shown in Satin Brass finish

- 322-24**
- 322-32**
- 322-41 IEM**
- 322-46 IEM**



OPTIONS

FAUX: Hand applied faux finish available for acrylic portion, specify **FAUX**.

DIMMING: For CF26W lamping only, available electronic ballast with a dimming range of 100-15%, 120 volt only. Ballast dimmable from any incandescent dimmer. Other dimming ballasts available.

EMERGENCY BATTERY PACK: Remote mounted EBP for 24" & 32" dia, specify **REM**. Integral EBP for 41" & 46" dia, specify **IEM**.

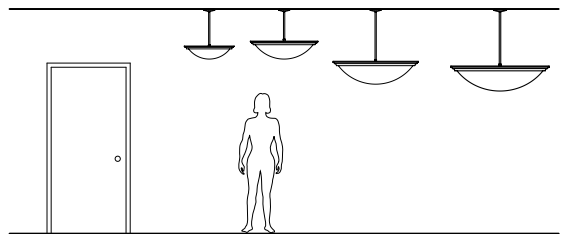
HANG HEIGHT: Standard overall hang height is 24" (ceiling to bottom of fixture). There is an additional charge for hang heights greater than standard. Minimum recommended is 18" standard canopy will accommodate sloped ceilings up to 40 degrees.

MOUNTING: Standard J-box or plaster ring. Safety cable provided.

WEIGHT: 24" - 10lbs
 32" - 14lbs
 41" - 18lbs
 46" - 20lbs



PHOTOMETRICS
 Lighting Sciences Report 22637
 Fixture Efficiency: 78.0%



VARIATIONS / MODIFICATIONS

- Special finishes
- Addition of decorative detail
- Alternate stem configurations

SPEC GUIDE SAMPLE SPEC: 322-24-CF4/26-120-SAL-24"

CAT#	SIZE	LAMPING	VOLT	FINISH	OPTION	OA
<input type="checkbox"/> 322	<input type="checkbox"/> 24	<input type="checkbox"/> CF4/26	<input type="checkbox"/> 120	<input type="checkbox"/> SAL	<input type="checkbox"/> IEM	<input type="checkbox"/> 24" STD
	<input type="checkbox"/> 32	<input type="checkbox"/> CF4/32	<input type="checkbox"/> 277	<input type="checkbox"/> SB	<input type="checkbox"/> (41" & 46" only)	<input type="checkbox"/> SPECIFY
	<input type="checkbox"/> 41	<input type="checkbox"/> CF4/42	<input type="checkbox"/> 120DIM	<input type="checkbox"/> AB	<input type="checkbox"/> REM	
	<input type="checkbox"/> 46	<input type="checkbox"/> CF4/57		<input type="checkbox"/> CCP	<input type="checkbox"/> FAUX	
		<input type="checkbox"/> CF4/70				

