



Shown in Satin Aluminum



**320-24**  
**320-32**  
**320-40** **LEM**

## LUMINOUS SHALLOW BOWL

Design  
Sustainability  
Value



print this page



email this page to a colleague



installation instructions



interactive submittal drawings

### COMPANION



### FEATURES

- Simple shallow bowl design.
- Available in 24", 32" & 40" dia.
- Easy tool-less relamping.
- 45 degree swivel meets Calif T-24
- Solid hand-finished metal construction.

### ECO INFO

**METALS:** Aluminum and brass with the highest available recycled content for lower embodied energy. Both metals are valuable and recyclable at the end of the product's useful life. For more information see "GENERAL INFO"

**FINISHING:** Aluminum and Antique Brass finishes are sealed with a hand-applied bees wax. No paint or lacquer is used in order to avoid pollution associated with the manufacture and application of these substances. Satin Brass is clear-coated with a very low VOC water-based coating. Paint finishes are low VOC and oven cured.

**ENERGY:** Designed exclusively for compact fluorescent lamps using HPF electronic ballasts.

### MATERIALS

- Solid brass or aluminum metal work, hand finished
- White acrylic bowl with matte finish

### FINISHES

**SAL** Satin Aluminum

**SB** Satin Brass

**AB** Antique Brass

**CCP** Custom Color Painted finish

Standard metal finishes are hand satined and either waxed or sealed with a water-based clear coat. Other metal finishes are available. Contact factory.

### LAMPING

24": 4-CF26 or 32 triple, GX24q base.

32": 4-CF26, 32 or 42W triple, GX24q base.

40": 4-CF42, 57 or 70W triple, GX24q-6 base.

Lamps not included.

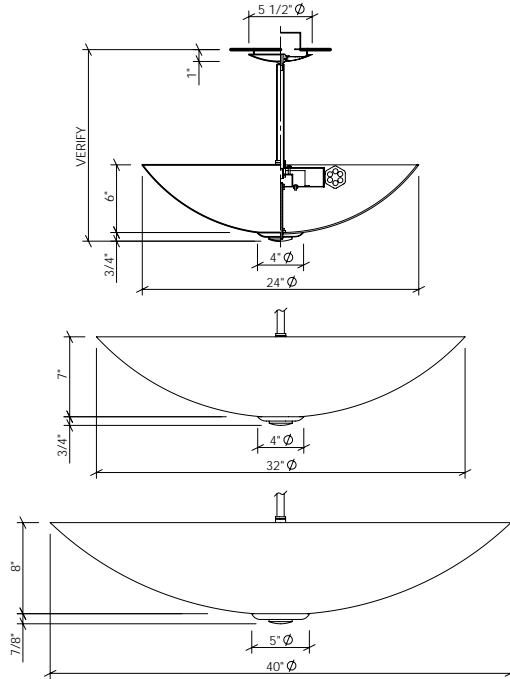
### BALLAST

Integral electronic HPF, 120/277V

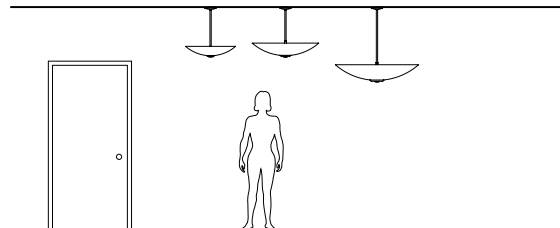
See "GENERAL INFO" for more detail.



**320-24**  
**320-32**  
**320-40 IEM**



**PHOTOMETRICS**  
 Report available Q1 09



**OPTIONS**  
**FAUX:** Hand painted faux finish available, specify **FAUX**  
**DIMMING:** Our standard dimming electronic ballast has range of 100-15%, for 26, 120 volt only. Other dimming ballasts available.  
**EMERGENCY BATTERY PACK:** Remote mounted **EBP** for 24" & 32" dia, specify **REM**. Integral **EBP** for 40" dia, specify **IEM**.

**VARIATIONS / MODIFICATIONS**

- Special finishes
- Different bowl sizes
- Addition of decorative detail
- Alternate stem configurations

**HANG HEIGHT:** Standard overall hang height is 24" for 24" dia and 32" dia; 36" for 40" dia (ceiling to bottom of fixture). There is an additional charge for hang heights greater than standard. Minimum recommended is 18". Standard canopy will accommodate a sloped ceiling of 40 degrees

**MOUNTING:** Standard J-box or plaster ring. Safety cable provided

**WEIGHT:** 24" 15lbs      40" 20lbs  
                   32" 17lbs

**SPEC GUIDE**      SAMPLE SPEC: 320-24-CF4/26-120-SB-DIM-24" OA

CAT#	SIZE	LAMPING	VOLT	FINISH	OPTION	OA
<input type="checkbox"/> 320	<input type="checkbox"/> 24	<input type="checkbox"/> CF4/26	<input type="checkbox"/> 120	<input type="checkbox"/> SAL	<input type="checkbox"/> FAUX	<input type="checkbox"/> 24" STD
	<input type="checkbox"/> 32	<input type="checkbox"/> CF4/32	<input type="checkbox"/> 277	<input type="checkbox"/> SB	<input type="checkbox"/> DIM	<input type="checkbox"/> SPECIFY
	<input type="checkbox"/> 40	<input type="checkbox"/> CF4/42		<input type="checkbox"/> AB	<input type="checkbox"/> REM	
		<input type="checkbox"/> CF4/57		<input type="checkbox"/> CCP	<input type="checkbox"/> IEM	
		<input type="checkbox"/> CF4/70				

