



Shown in Satin Aluminum



**318-24**  
**318-32**  
**318-40** **LEM**

**LUMINOUS BOWL WITH  
DOWNLIGHT**

Design  
Sustainability  
Value



print this page



email this page to a colleague



installation instructions



interactive submittal drawing



application photos



#### FEATURES

- Luminous bowl with separate downlight.
- Available in 24", 32" & 40" dia.
- Available with LED downlight.
- 45 degree swivel meets Calif T-24
- Solid hand-finished metal construction.

#### MATERIALS

- Solid brass or aluminum metal work, hand finished
- White acrylic bowl with matte finish

#### FINISHES

**SAL** Satin Aluminum

**AB** Antique Brass

**SB** Satin Brass

**CCP** Custom Color Painted finish

Standard metal finishes are hand satined and either waxed or sealed with a water-based clear coat. Other metal finishes are available. Contact factory.

#### LAMPING

318-24: 4-CF26, 32WTTT, GX24q base +  
PAR 20, 50W max or LEDMR16.

318-32: 4-CF26, 32 or 42WTTT, GX24q base +  
PAR 20, 50W max or LEDMR16.

318-40: 4-CF26, 32, 42 or 57WTTT, GX24q base +  
PAR 30, 75W max LEDPAR 30 or 1-CF26WTTT.

CF lamps not included. LEDMR16 & PAR 30 are supplied.

#### BALLAST

Integral electronic HPF, 120V only, except 318-40 with CF downlight. See "GENERAL INFO" for more detail.

#### ECO INFO

**METALS:** Aluminum and brass with the highest available recycled content for lower embodied energy. Both metals are valuable and recyclable at the end of the product's useful life. For more information see "GENERAL INFO"

**FINISHING:** Aluminum and Antique Brass finishes are sealed with a hand-applied bees wax. No paint or lacquer is used in order to avoid pollution associated with the manufacture and application of these substances. Satin Brass is clear-coated with a very low VOC water-based coating. Paint finishes are low VOC and oven cured.

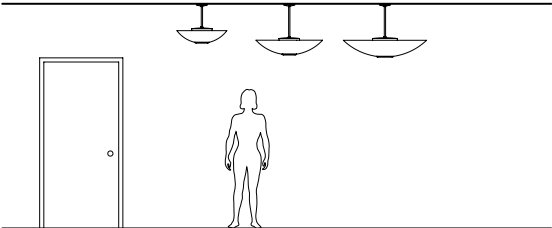
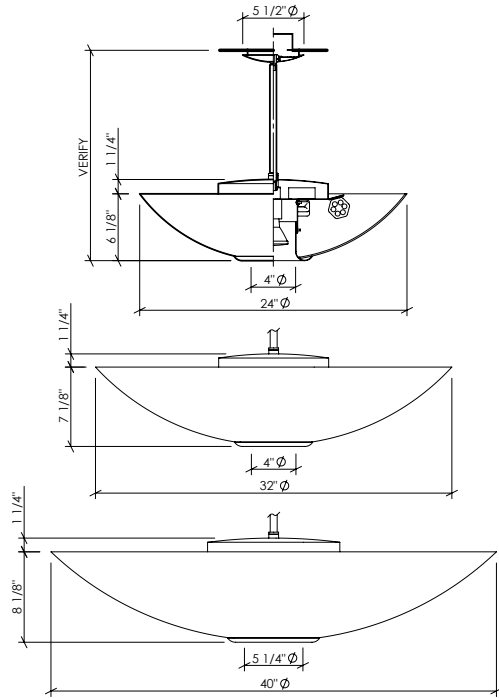
**ENERGY:** Designed exclusively for compact fluorescent lamps using HPF electronic ballasts.





Shown in Satin Brass.

**318-24**  
**318-32**  
**318-40 IEM**



**OPTIONS**

**FAUX:** Hand painted faux finish available, specify **FAUX**

**DIMMING:** Our standard dimming electronic ballast has range of 100-15%, for 26W, 120 volt only. Other dimming ballasts available.

**EMERGENCY BATTERY PACK:** Remote mounted EBP for 24" & 32" dia, specify **REM**. Integral EBP for 40" dia, specify **IEM**.

**HANG HEIGHT:** Standard overall hang height is 24" for 24" dia and 32" dia; 36" for 40" dia (ceiling to bottom of fixture). There is an additional charge for hang heights greater than standard. Minimum recommended is 18". Standard canopy will accommodate a sloped ceiling of 40 degrees.

**MOUNTING:** Standard J-box or plaster ring. Safety cable provided.

**WEIGHT:** 24" 15lbs      40" 20lbs  
 32" 17lbs

**VARIATIONS / MODIFICATIONS**

- Special finishes
- Different bowl sizes
- Addition of decorative detail
- Alternate stem configurations

**SPEC GUIDE**      SAMPLE SPEC: 318-24-CF4/26-120-SB-DIM-24" OA

CAT#	SIZE	LAMPING	DOWNL	VOLT	FINISH	OPTION	OA
<input type="checkbox"/> 318	<input type="checkbox"/> 24	<input type="checkbox"/> CF4/26	<input type="checkbox"/> PAR 20	<input type="checkbox"/> 120	<input type="checkbox"/> SAL	<input type="checkbox"/> FAUX	<input type="checkbox"/> 24" STD
	<input type="checkbox"/> 32	<input type="checkbox"/> CF4/32	<input type="checkbox"/> LEDMR16	<input type="checkbox"/> 277	<input type="checkbox"/> SB	<input type="checkbox"/> DIM	<input type="checkbox"/> SPECIFY
	<input type="checkbox"/> 40	<input type="checkbox"/> CF4/42	<input type="checkbox"/> PAR 30	(318-40	<input type="checkbox"/> AB	<input type="checkbox"/> REM	
		<input type="checkbox"/> CF4/57	<input type="checkbox"/> LEDPAR30	only)	<input type="checkbox"/> CCP	<input type="checkbox"/> IEM	
			<input type="checkbox"/> CF1/26				

NOTE: Both LED Lamps are 40° beam spread & 3000K. MR16=8W PA30=22W.

