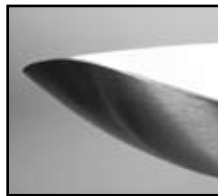




DESIGN: RANDY BORDEN

Shown in Satin Aluminum



# 310 IEM

## DIRECT/INDIRECT PENDANT

Design  
Sustainability  
Value



print this page



email this page to a colleague



installation instructions



interactive submittal drawing

### FEATURES

- Unique asymmetric shape
- Indirect lighting with soft direct feature
- Low profile, high efficiency
- Alternate stem configurations available

### ECO INFO

**METALS:** Aluminum and brass with the highest available recycled content for lower embodied energy. Both metals are valuable and recyclable at the end of the product's useful life. For more information see "GENERAL INFO"

**FINISHING:** Aluminum and Antique Brass finishes are sealed with a hand-applied bees wax. No paint or lacquer is used in order to avoid pollution associated with the manufacture and application of these substances. Satin Brass is clear-coated with a very low VOC water-based coating. Paint finishes are low VOC and oven cured.

**ENERGY:** Designed exclusively for compact fluorescent lamps using HPF electronic ballasts.

### MATERIALS

- Solid brass or aluminum metal work, hand finished.
- White acrylic bowl with matte finish.

### FINISHES

**SAL** Satin Aluminum

**SB** Satin Brass

**AB** Antique Brass

**CCP** Custom Color Painted finish

Standard metal finishes are hand satined and either waxed or sealed with a water-based clear coat. Other metal finishes are available. Contact factory.

### LAMPING

4-CF26W, 32W or 42WTTT Gx24q base.

Lamps not included.

### BALLAST

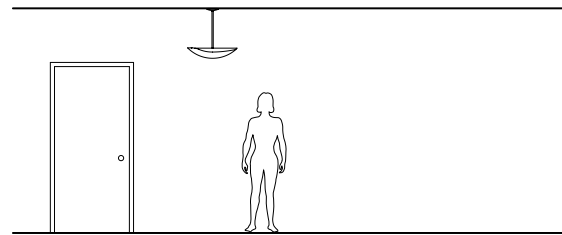
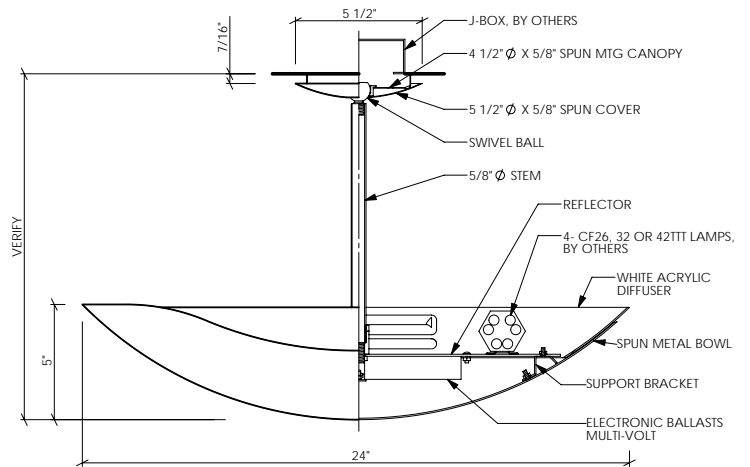
Integral electronic HPF, 120V/277V.

See "GENERAL INFO" for more detail.



Shown with Faux finish

## 310 IEM



### OPTIONS

**FAUX:** Hand applied faux finish available for acrylic portion, specify FAUX.

**DIMMING:** For CF26W lamping only, available electronic ballast with a dimming range of 100-15%, 120 volt only. Ballast dimmable from any incandescent dimmer. Other dimming ballasts available.

**TOP COVER:** Two-piece hexcel louver available, specify TC.

**EMERGENCY BATTERY PACK:** Integral EBP, specify IEM.

**HANG HEIGHT:** Standard overall hang height is 24" (ceiling to bottom of fixture). There is an additional charge for hang heights greater than standard. Minimum recommended is 18". Standard canopy will accommodate a sloped ceiling of 40 degrees.

**MOUNTING:** Standard J-box or plaster ring.  
Safety cable provided

**WEIGHT:** 15lbs

### VARIATIONS / MODIFICATIONS

- Special finishes
- Addition of decorative detail
- Alternate stem configurations

**NOTE:** Standard electronic ballast is multi-volt and multi-wattage. Fixture will accommodate 26, 32 or 42 watt lamps.

## SPEC GUIDE SAMPLE SPEC: 310-CF4/26-120-SAL-REM-24" OA

CAT#	LAMPING	VOLT	FINISH	OPTION	OA
<input type="checkbox"/> 310	<input type="checkbox"/> CF4/26	<input type="checkbox"/> 120	<input type="checkbox"/> SAL	<input type="checkbox"/> IEM	<input type="checkbox"/> 24" STD
	<input type="checkbox"/> CF4/32	<input type="checkbox"/> 277	<input type="checkbox"/> SB	<input type="checkbox"/> FAUX	<input type="checkbox"/> SPECIFY
	<input type="checkbox"/> CF4/42	<input type="checkbox"/> 120DIM	<input type="checkbox"/> AB	<input type="checkbox"/> TC	
			<input type="checkbox"/> CCP	<input type="checkbox"/> DIM	

