

UPDATED 7/11

303-24 IEM

303-36 IEM

FABRIC SHADE DRUM

Design
Sustainability
Value



Shown with cream linen shade and satin aluminum.



print this page



email this page to a colleague



installation instructions



interactive submittal drawing

COMPANIONS



FEATURES

- Classic drum shape available with a variety of fabric shades.
- Companion ceiling and wall mounts.
- Optional integral emergency battery pack.

ECO INFO

METALS: Aluminum and brass with the highest available recycled content for lower embodied energy. Both metals are valuable and recyclable at the end of the product's useful life. For more information see "SPEC GUIDE."

FINISHING: Aluminum & Antique Brass are sealed with a hand-applied bees wax. No paint or lacquer is used in order to avoid pollution associated with manufacture and application of these substances. Satin Brass are clear-coated with a very low VOC water-based coating. Paint finishes are low VOC and oven cured.

ENERGY: Designed exclusively for T5 circline fluorescent lamps using HPF electronic ballasts.

FABRIC SHADE: Available with sustainability produced fabrics that are backed with a US made paper backing, that replaces the standard styrene backing. See OPTIONAL FABRICS on Pg. 2.

MATERIALS

- Solid brass, bronze or aluminum metal work, hand finished.
- White acrylic bottom lens.

FINISHES

- SAL** Satin Aluminum
- SB** Satin Brass
- AB** Antique Brass
- CCP** Custom Color Painted finish

Standard metal finishes are hand stained and either waxed or sealed with a water-based clear coat. Other metal finishes are available. Contact factory.

LAMPING

4-CF26W, 32W or 42WTTT Gx24q base.
Lamps not included.

BALLAST

Integral electronic HPF, 120V/277V.
See "SPEC GUIDE" for more detail.





STANDARD FABRIC
Cream Linen

NOTE: All fabrics shown greater than actual size.

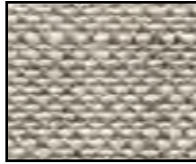
OPTIONAL FABRICS: Imported 100% flax linen.



VAN Vanilla



WHT White



OAT Oatmeal

OPTIONAL ECO-FABRICS:

Sustainably produced hemp and organic cotton.



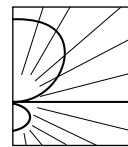
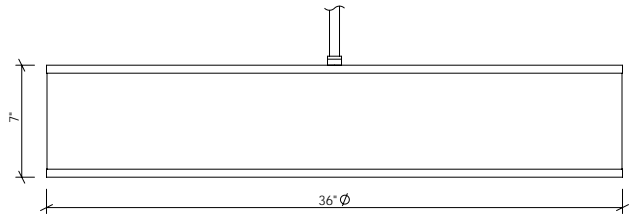
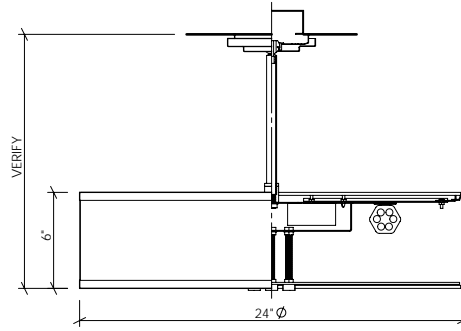
CRH Cream Hemp



HOC Hemp/
Organic Cotton

Click **HERE** to learn more about shade fabrics

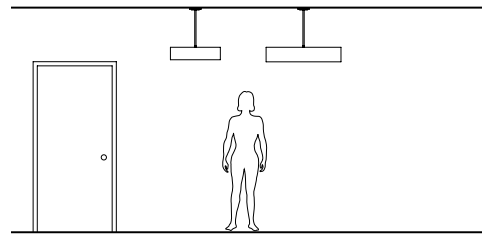
303-24 IEM
303-36 IEM



PHOTOMETRICS

Lighting Sciences Report No. 29245

Fixture efficiencies 82.3%



OPTIONS

DIMMING: For 4-CF26W lampping only, available electronic ballast with a dimming range of 100-15%, 120 volt only. Ballast dimmable from any incandescent dimmer. Other dimming ballasts available.

EMERGENCY BATTERY PACK: Integral EBP available, specify IEM.

FABRIC SHADE: Standard, or default, shade is Cream Linen. Optional shade fabrics are shown above. Call factory for other fabrics.

HANG HEIGHT: Standard overall hang height is 24" (ceiling to bottom of fixture). There is an additional charge for hang heights greater than standard. Minimum recommended is 18" standard canopy will accommodate sloped ceiling up to 40 degrees.

MOUNTING: Standard J-box or plaster ring. Safety cable provided.

VARIATIONS / MODIFICATIONS

- Special finishes
- Special shade fabrics
- Addition of decorative detail

NOTE: Standard electronic ballast is multi-volt and multi-wattage. Fixture will accommodate 26, 32 or 42 watt lamps.

SPEC GUIDE

SAMPLE SPEC: 303-24-CF4/26-120-SAL-TC-24" OA

CAT#	SIZE	LAMPING	VOLT	FINISH	OPTION	OA
<input type="checkbox"/> 303	<input type="checkbox"/> 24 <input type="checkbox"/> 36	<input type="checkbox"/> CF4/26 <input type="checkbox"/> CF4/32 <input type="checkbox"/> CF4/42	<input type="checkbox"/> 120 <input type="checkbox"/> 277 <input type="checkbox"/> 120DIM	<input type="checkbox"/> SAL <input type="checkbox"/> SB <input type="checkbox"/> AB <input type="checkbox"/> CCP	<input type="checkbox"/> IEM <input type="checkbox"/> TC <input type="checkbox"/> VAN (Vanilla) <input type="checkbox"/> WHT (White) <input type="checkbox"/> OAT (Oatmeal) <input type="checkbox"/> OAT (Oatmeal) <input type="checkbox"/> CRH (Cream Hemp) <input type="checkbox"/> HOC (Hemp/ Organic Cotton)	<input type="checkbox"/> 24" STD <input type="checkbox"/> SPECIFY

