



574-25 shown in Satin Aluminum



574-37 shown in Satin Aluminum



574-24 574-37

LUMINOUS VANITY

ADA

Design
Sustainability
Value



print this page



email this page to a colleague



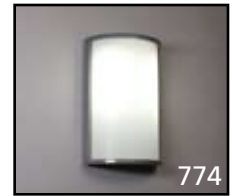
installation instructions



interactive submittal drawing



application photos



FEATURES

- ADA compliant.
- Available with integral EBP.
- Crisp, classic design
- Available in two sizes and with trim bar options.

ECO INFO

METALS: Die cast end caps made from 100% recycled aluminum. Other aluminum parts have the highest available recycled content for lower embodied energy. All metals are valuable and recyclable at the end of the product's useful life. For more information see "GENERAL INFO"

FINISHING: Solid, natural metal finishes are sealed with a hand-applied bees wax. No paint or lacquer is used in order to avoid pollution associated with the manufacture and application of these substances. Clear coat finishes are available. Paint finishes are low VOC and oven cured.

ENERGY: Designed exclusively for fluorescent lamps using HPF electronic ballasts.

MATERIALS

- Solid aluminum metalwork, hand finished.
- Luminous shield is extruded white acrylic with a matte finish.

FINISHES

SAL Satin Aluminum

PC Polished Chrome

MW Matte White

CCP Custom Color Painted finish

Standard metal finishes are hand satined and waxed. Low VOC lacquer available.

Other metal finishes are available. Contact factory.

LAMPING

574-24: 2-T5/14W or 2T5/24HO.

574-37: 2-T5/21W, 2-T5/39HO or 2-T8/25.

Lamps not included.

BALLAST

Integral electronic HPF, 120V/277V.

See "GENERAL INFO" for more detail.



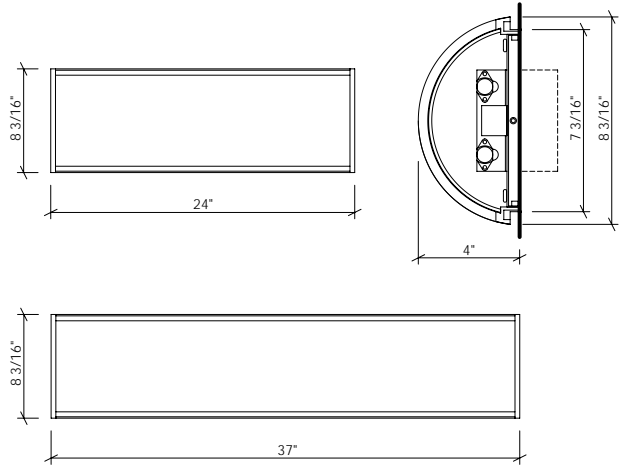


574-24 shown in Satin Aluminum with TB2

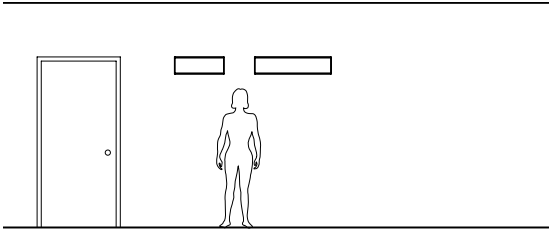


574-25 shown in Satin Aluminum with TB1

574-24
574-37
ADA



OPTIONS
DIMMING: Call factory.
TRIM BARS: See photos above. Call factory for special trim bar designs.
EMERGENCY BATTERY PACK: Integral EBP available. Specify IEM.



VARIATIONS / MODIFICATIONS

- Special finishes
- Special sizes
- Addition trim bar designs.
- Addition of decorative detail
- Custom laser cut patterned overlays

MOUNTING: Standard J-box or plaster ring.

WEIGHT: 24": 10lbs
 37": 15lbs

SPEC GUIDE SAMPLE SPEC: 574-25-2T5/24H0-120-SAL

CAT#	SIZE	LAMPING	VOLT	FINISH	OPTION
<input type="checkbox"/> 574	<input type="checkbox"/> 24	<input type="checkbox"/> 2-T5/14	<input type="checkbox"/> 120	<input type="checkbox"/> SAL	<input type="checkbox"/> IEM
	<input type="checkbox"/> 37	<input type="checkbox"/> 2-T5/24H0	<input type="checkbox"/> 277	<input type="checkbox"/> PC	<input type="checkbox"/> TB1
		<input type="checkbox"/> 2-T5/21		<input type="checkbox"/> MW	<input type="checkbox"/> TB2
		<input type="checkbox"/> 2-T5/39H0		<input type="checkbox"/> CCP	

