



573-22 shown in Satin Aluminum



573-30 shown in Polished Chrome



573-22 573-30 573-41

VANITY FIXTURE

ADA

Design
Sustainability
Value



print this page



email this page to a colleague



installation instructions



interactive submittal drawing

COMPANIONS



FEATURES

- ADA compliant.
- Crisp, classic design
- Available in two sizes and with trim bar option.
- All aluminum construction suited to damp interior locations.

MATERIALS

- Solid aluminum metalwork, hand finished.
- Luminous shield is extruded white acrylic with a matte finish.

FINISHES

SAL Satin Aluminum

PC Polished Chrome

MW Matte White

CCP Custom Color Painted finish

Standard metal finishes are hand satined and waxed. Low VOC lacquer available. Other metal finishes are available. Contact factory.

LAMPING

573-22: 1-CF39TT, 2GII base.

573-30: 2-T5/14W or 2-T5/24HO.

573-40: 2-T5/21W or 2-T5/39HO.

Lamps not included.

BALLAST

Integral electronic HPF, 120V/277V.

See "GENERAL INFO" for more detail.

ECO INFO

METALS: Die cast trim is made from 100% recycled aluminum. Other aluminum parts have the highest available recycled content for lower embodied energy. All metals are valuable and recyclable at the end of the product's useful life. For more information see "GENERAL INFO"

FINISHING: Solid, natural metal finishes are sealed with a hand-applied bees wax. No paint or lacquer is used in order to avoid pollution associated with the manufacture and application of these substances. Clear coat finishes are available. Paint finishes are low VOC and oven cured.

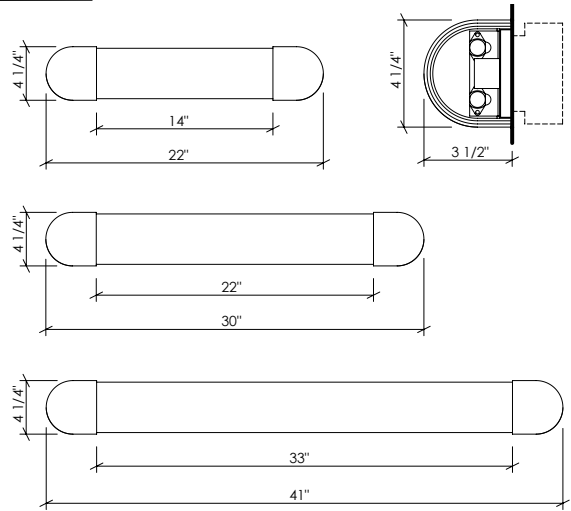
ENERGY: Designed exclusively for compact fluorescent lamps using HPF electronic ballasts.





573-22
573-30
573-41

ADA

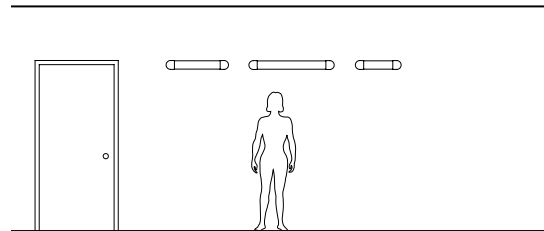


573-20 shown with optional Trim Bars & Vertical Mounting.

OPTIONS

TRIM BARS: See photos above. Call factory for special trim bar designs.

EMERGENCY BATTERY PACK: Remote mounted EBP, specify REM.



MOUNTING: NOTE: Standard 3" Ø or plaster ring or switch box.

WEIGHT: 22" 5lbs
 30" 7lbs
 41" 10lbs

VARIATIONS / MODIFICATIONS

- Special finishes
- Special sizes
- Addition trim bar designs.
- Addition of decorative detail
- Custom laser cut patterned overlays

SPEC GUIDE SAMPLE SPEC: 573-30-T5/24-SAL-TB

CAT#	SIZE	LAMPING	VOLT	FINISH	OPTION
□ 573	□ 22	□ CF1/39	□ 120	□ SAL	□ REM
	□ 30	□ 2-T5/14	□ 277	□ PC	□ TB
	□ 41	□ 2-T5/24H0	□ MW		
		□ 2-T5/21	□ CCP		
		□ 2-T5/39H0			

