



523 Shown in Satin Aluminum



522-16 522-20 523 **ADA**

LUMINOUS BOWL WITH TRIM RING

Design Sustainability Value



print this page



email this page to a colleague



installation instructions



interactive submittal drawing

COMPANIONS



FEATURES

- Transitional design fits contemporary or traditional spaces.
- Companion ceiling & pendant fixtures.
- 522 available in two sizes.
- 523 is ADA compliant.

MATERIALS

- Solid aluminum or brass metal work, hand finished.
- Luminous bowl is white acrylic with a matte finish.

FINISHES

- SAL** Satin Aluminum
- SB** Satin Brass
- AB** Antique Brass
- MW** Matte White
- CCP** Custom Color Painted finish

Standard metal finishes are hand satined and waxed. Low VOC lacquer available. Other metal finishes are available. Contact factory.

LAMPING

522-16 & 522-20: 2-CF13DTT, G24q base or 2-CF26TTT, Gx24q base.
523: 2-CF13DTT, G24q base
Lamps not included.

BALLAST

Integral electronic HPF, 120V/277V.
See "GENERAL INFO" for more detail.

ECO INFO

METALS: Sand cast mounting back is made from 100% recycled aluminum. Other aluminum and brass parts have the highest available recycled content for lower embodied energy and are valuable and recyclable at the end of the product's useful life. For more information see "GENERAL INFO"

FINISHING: Solid, natural metal finishes are sealed with a hand-applied bees wax. No paint or lacquer is used in order to avoid pollution associated with the manufacture and application of these substances. Clear coat finishes are available. Paint finishes are low VOC and oven cured.

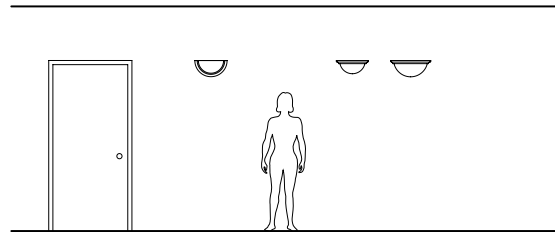
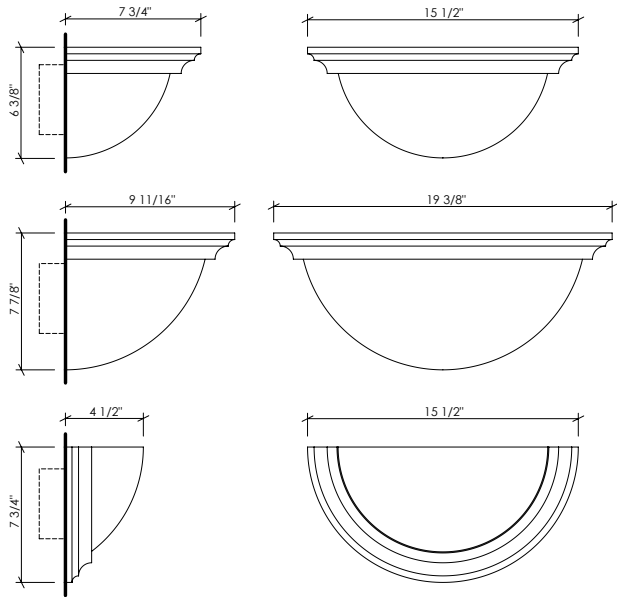
ENERGY: Designed exclusively for compact fluorescent lamps using HPF electronic ballasts.





522-16 shown in Satin Aluminum.

522 523 ADA LUMINOUS BOWL WITH TRIM RING



OPTIONS

FAUX: Hand applied faux finish available. Specify FAUX.

DIMMING: For 522-18 & 2-CF26W lamping only, available electronic ballast with a dimming range of 100-15%, 120 volt only. Ballast dimmable from any incandescent dimmer. Other dimming ballasts available.

EMERGENCY BATTERY PACK: Remote mounted EBP, specify REM.

MOUNTING: Standard J-box or plaster ring.

WEIGHT: 4lbs

VARIATIONS / MODIFICATIONS

- Special finishes
- Addition of decorative detail

SPEC GUIDE SAMPLE SPEC: 523-CF2/13-120-SB-FAUX

CAT#	SIZE	LAMPING	VOLT	FINISH	OPTION
<input type="checkbox"/> 522	<input type="checkbox"/> 16	<input type="checkbox"/> CF2/13	<input type="checkbox"/> 120	<input type="checkbox"/> SAL	<input type="checkbox"/> FAUX
<input type="checkbox"/> 523	<input type="checkbox"/> 20	<input type="checkbox"/> CF2/26*	<input type="checkbox"/> 277	<input type="checkbox"/> AB	<input type="checkbox"/> REM
	Note: 523 only available for 523. 16"	*Not available for 523.	<input type="checkbox"/> 120DIM	<input type="checkbox"/> SB	
				<input type="checkbox"/> MW	
				<input type="checkbox"/> CCP	

