



521 shown.



520-14 520-18 521 ADA



LUMINOUS SCONCE

Design
Sustainability
Value



print this page



email this page to a colleague



installation instructions



interactive submittal drawing

COMPANIONS



FEATURES

- 521 is ADA compliant.
- 520 available in two sizes.
- Simple shape fits many architectural styles.

ECO INFO

ENERGY: Designed exclusively for compact fluorescent lamps using HPF electronic ballasts.

MATERIALS

- Aluminum mounting plate.
- Vacuum formed acrylic diffuser with a matte finish.

FINISHES

NOTE: The only metal work visible is the mounting plate which has a matte white finish. Other metal finishes are available. Contact factory.

LAMPING

520-14 or 18: 2-CF13DTT, G4q base or 2-CF2/26TTT, Gx24q base.
521: 2-CF13DTT, G24q base.
Lamps not included.

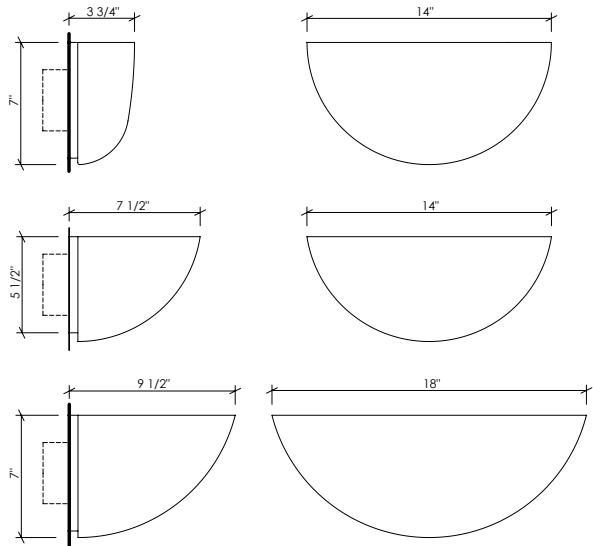
BALLAST

Integral electronic HPF, 120V/277V.
See "GENERAL INFO" for more detail.



520-14 shown.

520-14
520-18
521 ADA



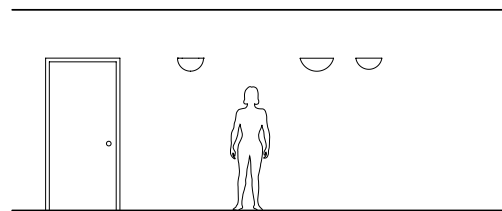
OPTIONS

FAUX: Hand applied faux finish available. Specify **FAUX**.

DIMMING: Electronic dimming ballasts available. The 520-18 for 2-26W lamps is available with our standard electronic dimming ballast with a dimming range of 100-15%, 120 volt only. Ballast dimmable with any incandescent dimmer.

NORMAL POWER FACTOR BALLAST: These fixtures are available with a NPF 120 volt electronic ballast at a lower cost. Specify **120NPF**

EMERGENCY BATTERY PACK: Remote mounted EBP, specify **REM**.



MOUNTING: Standard J-box or plaster ring.

WEIGHT: 3lbs

VARIATIONS / MODIFICATIONS

- Special finishes
- Addition of decorative detail

SPEC GUIDE SAMPLE SPEC: 521-CF2/13-120-MW-FAUX

CAT#	SIZE	LAMPING	VOLT	FINISH	OPTION
<input type="checkbox"/> 520	<input type="checkbox"/> 14	<input type="checkbox"/> CF2/13	<input type="checkbox"/> 120	<input type="checkbox"/> MW	<input type="checkbox"/> FAUX
<input type="checkbox"/> 521	<input type="checkbox"/> 18	<input type="checkbox"/> CF2/26	<input type="checkbox"/> 277		<input type="checkbox"/> REM
	Note: 521 only available 14"		<input type="checkbox"/> 120NPF		



999 Montague St • San Leandro, CA 94577 • ph 510.357.0171 • fax 510.357.3832 • www.bordenlighting.com

