

508

LUMINOUS SHIELD

ADA

Design
Sustainability
Value



print this page



email this page to a colleague



installation instructions

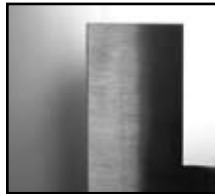


interactive submittal drawing

DESIGN: RANDY BORDEN



Shown in Satin Aluminum



FEATURES

- ADA compliant.
- Bold design features natural metals.
- Available in 5 solid metal finishes.
- Tool-free relamping.

MATERIALS

- Solid aluminum, brass or stainless steel metal work, hand finished.
- Luminous shield is extruded white acrylic with a matte finish.

FINISHES

SAL Satin Aluminum

SB Satin Brass

AB Antique Brass

SBZ Satin Bronze

SSS Satin Stainless Steel

MW Matte White

CCP Custom Color Painted finish

Standard metal finishes are hand satined and waxed (except **SSS**). Low VOC lacquer available. Other metal finishes are available. Contact factory.

LAMPING

2-CF13TT, 2Gx7 base or 2-CF26W DTT, Gx24q base. Lamps not included.

BALLAST

Integral electronic HPF, 120V/277V. See "GENERAL INFO" for more detail.

ECO INFO

METALS: Metal parts have highest available recycled content for lower embodied energy and are valuable and recyclable at the end of the product's useful life. For more information see "GENERAL INFO"

FINISHING: Solid, natural metal finishes are sealed with a hand-applied bees wax. No paint or lacquer is used in order to avoid pollution associated with the manufacture and application of these substances. Clear coat finishes are available. Paint finishes are low VOC and oven cured.

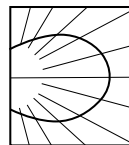
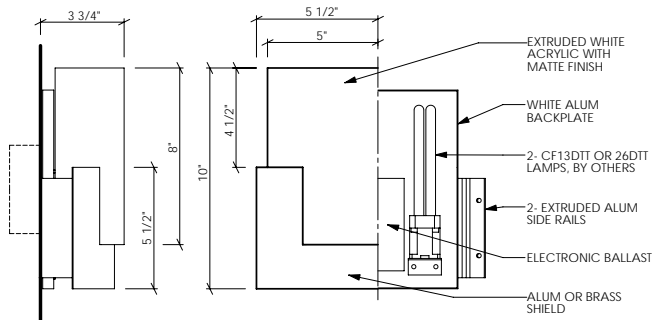
ENERGY: Designed exclusively for compact fluorescent lamps using HPF electronic ballasts.





Shown in Satin Brass

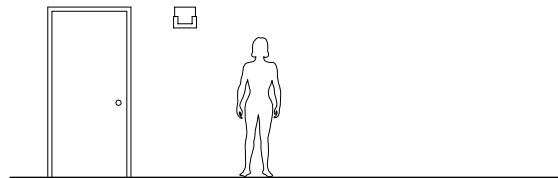
508 ADA



PHOTOMETRICS

Click for report T22747t.

Fixture efficiencies 58.7%



OPTIONS

FAUX: Hand applied faux finish available. Specify **FAUX**.

DIMMING: For 2-CF26W lampping only, available electronic ballast with a dimming range of 100-15%, 120 volt only. Ballast dimmable from any incandescent dimmer. Other dimming ballasts available.

EMERGENCY BATTERY PACK: Remote mounted EBP, specify **REM**.

VARIATIONS / MODIFICATIONS

- Special finishes
- Addition of decorative detail
- Laser cut patterned overlays

MOUNTING: Standard J-box or plaster ring.

WEIGHT: 4lbs

SPEC GUIDE SAMPLE SPEC: 508-CF2/13-120-SSS-FAUX

CAT#	LAMPING	VOLT	FINISH	OPTION
<input type="checkbox"/> 508	<input type="checkbox"/> CF2/13	<input type="checkbox"/> 120	<input type="checkbox"/> SAL	<input type="checkbox"/> FAUX
	<input type="checkbox"/> CF2/26	<input type="checkbox"/> 277	<input type="checkbox"/> SB	<input type="checkbox"/> REM
		<input type="checkbox"/> 120DIM	<input type="checkbox"/> AB	
			<input type="checkbox"/> SBZ	
			<input type="checkbox"/> SSS	
			<input type="checkbox"/> MW	
			<input type="checkbox"/> CCP	

