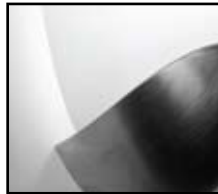




DESIGN: RANDY BORDEN

Shown in Satin Aluminum



505

LUMINOUS SCONCE

ADA

Design
Sustainability
Value



print this page



email this page to a colleague



installation instructions



interactive submittal drawing

FEATURES

- ADA compliant.
- Simple shape fits many architectural styles.
- Die cast aluminum with 100% recycled content.

ECO INFO

METALS: Die cast aluminum base is made from 100% recycled aluminum. Other parts use highest available recycled content for lower embodied energy. All metals are valuable and recyclable at the end of the product's useful life.

For more information see "GENERAL INFO"

FINISHING: Solid, natural metal finishes are sealed with a hand-applied bees wax. No paint or lacquer is used in order to avoid pollution associated with the manufacture and application of these substances. Clear coat finishes are available. Paint finishes are low VOC and oven cured.

ENERGY: Designed exclusively for compact fluorescent lamps using HPF electronic ballasts.

MATERIALS

- Die cast aluminum, hand finished.
- Luminous shield is injection molded acrylic with a matte finish.

FINISHES

SAL Satin Aluminum

MW Matte White

CCP Custom Color Painted finish

Standard metal finishes are hand satined and waxed. Other metal finishes are available. Contact factory.

LAMPING

1-CF26W DTT, CF32W or CF42WTTT, Gx24q base.

Lamps not included.

BALLAST

Integral electronic HPF, 120V/277V.

See "GENERAL INFO" for more detail.

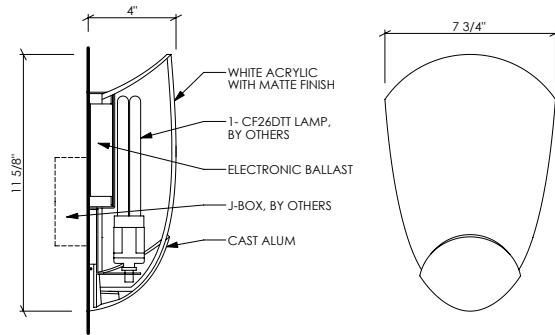




Shown in Satin Aluminum

505

ADA



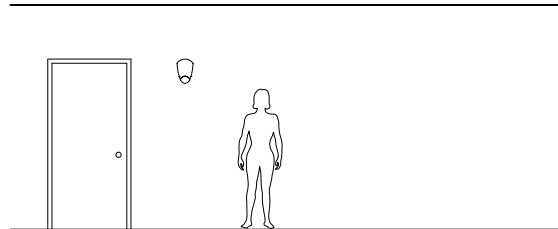
OPTIONS

FAUX: Hand applied faux finish available. Specify **FAUX**.

DIMMING: Available electronic ballast with a dimming range of 100-15%, 120 volt only. Ballast dimmable from any incandescent dimmer. (Dims 26, 32 & 42W lamps.) Other dimming ballasts available.

NORMAL POWER FACTOR BALLAST: This fixture is available with an NPF 120 volt electronic ballast for 26W lamp only at a lower cost. Specify **120NPF**

EMERGENCY BATTERY PACK: Remote mounted EBP, specify **REM**.



VARIATIONS / MODIFICATIONS

- Special finishes
- Addition of decorative detail

NOTE: Standard electronic ballast is multi-volt and multi-wattage. Fixture will accommodate 26, 32 or 42 watt lamps.

MOUNTING: Standard J-box or plaster ring.

WEIGHT: 4lbs

SPEC GUIDE SAMPLE SPEC: 505-CF1/26-120-SAL-FAUX

CAT#	LAMPING	VOLT	FINISH	OPTION
<input type="checkbox"/> 505	<input type="checkbox"/> CF1/26	<input type="checkbox"/> 120	<input type="checkbox"/> SAL	<input type="checkbox"/> FAUX
	<input type="checkbox"/> CF1/32	<input type="checkbox"/> 277	<input type="checkbox"/> MW	<input type="checkbox"/> REM
	<input type="checkbox"/> CF1/42	<input type="checkbox"/> 120DIM	<input type="checkbox"/> CCP	
		<input type="checkbox"/> 120NPF		



999 Montague St • San Leandro, CA 94577 • ph 510.357.0171 • fax 510.357.3832 • www.bordenlighting.com

