



DESIGN: DAVID BERKS

500 ADA

UP/DOWN WALL MOUNT

Design
Sustainability
Value



print this page



email this page to a colleague



installation instructions



interactive submittal drawing



FEATURES

- Elegant arm mount meets ADA requirements
- High efficiency means more lumens per watt.

ECO INFO

METALS: Aluminum parts have the highest available recycled content for lower embodied energy and are valuable and recyclable at the end of the product's useful life. For more information see "GENERAL INFO."

FINISHING: Solid, natural metal finishes are sealed with a hand-applied bees wax. No paint or lacquer is used in order to avoid pollution associated with the manufacture and application of these substances. Clear coat finishes are available. Paint finishes are low VOC and oven cured.

ENERGY: Designed exclusively for fluorescent lamps using HPF electronic ballasts.

MATERIALS

- Metal parts are aluminum, hand finished.
- Arms and mounting body are painted Matte White.

FINISHES

SAL Satin Aluminum

MW Matte White

CCP Custom Color Painted finish

Standard metal finishes are hand satined and waxed. Low VOC lacquer available-call factory. Other metal finishes are available. Contact factory.

LAMPING

1-T5/14W or 1-T5/24HO

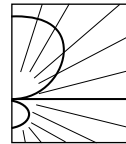
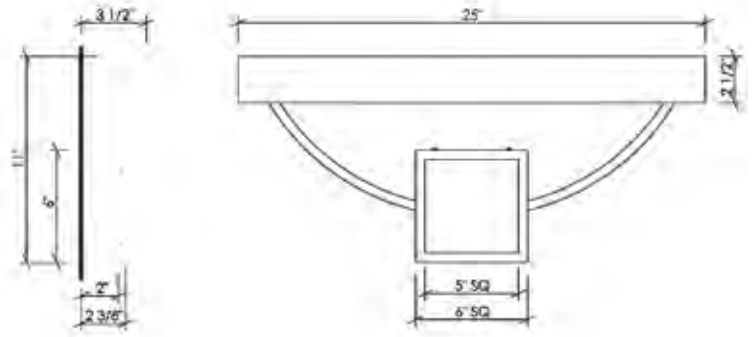
Lamps not included.

BALLAST

Integral electronic HPF, 120V/277V.

See "GENERAL INFO" for more detail.

500



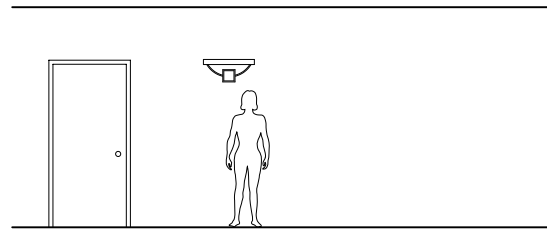
PHOTOMETRICS

Lighting Sciences Report No: 29053

Fixture Efficiency: 76.7%

OPTIONS

EMERGENCY BATTERY PACK: Remote Mounted EBP, specify REM.



VARIATIONS / MODIFICATIONS

- Special finishes
- Addition of decorative detail
- Special lengths

MOUNTING: Standard J-box or plaster ring.

WEIGHT: 6 lbs

SPEC GUIDE SAMPLE SPEC: 500-T5/24H0-120-SAL

CAT#	LAMPING	VOLT	FINISH	OPTION
<input type="checkbox"/> 500	<input type="checkbox"/> T5/14	<input type="checkbox"/> 120	<input type="checkbox"/> SAL	<input type="checkbox"/> REM
	<input type="checkbox"/> T5/24H0	<input type="checkbox"/> 277	<input type="checkbox"/> MW	
			<input type="checkbox"/> CCP	



999 Montague St • San Leandro, CA 94577 • ph 510.357.0171 • fax 510.357.3832 • www.bordenlighting.com

