



774-12
774-16
774-24

LUMINOUS HALF CYLINDER

ADA
IEM

WET LOCATION

Design
Sustainability
Value



print this page



email this page to a colleague

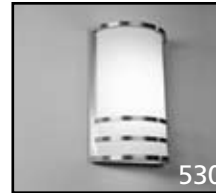


installation instructions



interactive submittal drawing

COMPANIONS



774-12 shown in semi-gloss silver finish.



FEATURES

- ADA compliant.
- Extruded and die-cast body.
- Available with uplight.
- Available in three sizes and several trim bar options.

ECO INFO

METALS: Die cast top and bottom trim is made from 100% recycled aluminum. Other aluminum parts have the highest available recycled content for lower embodied energy. All metals are valuable and recyclable at the end of the product's useful life. For more information see "GENERAL INFO"

FINISHING: Paint finishes are low VOC and oven cured.

ENERGY: Designed exclusively for low energy compact fluorescent lamps using HPF electronic ballasts.

MATERIALS

- Solid aluminum metalwork.
- Luminous shield is extruded white acrylic with a matte finish.

FINISHES

- SGB** Semi-gloss black
- SGW** Semi-gloss white
- SGS** Semi-gloss silver
- SGBZ** Semi-gloss bronze
- CCP** Custom Color Painted finish

LAMPING

12": 2-CF13TT, 2Gx7 base or 2-CF26DTT, Gx24q base.

16": 2-CF27TT, 2G11 base.

24": 1-CF40TT, 2G11 base, or 2-T5/14.

Lamps not included.

BALLAST

Integral electronic HPF, 120V/277V.

See "GENERAL INFO" for more detail.





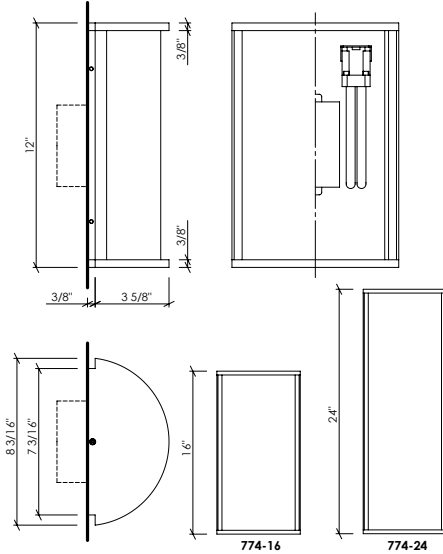
774-12 shown with optional Vertical Trim Bars, specify VTB.



774-24 in semi-gloss silver.

774-12
774-16
774-24
WET LOCATION

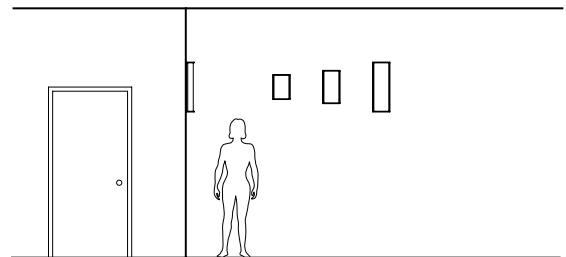
ADA IEM



OPTIONS

VERTICAL TRIM BARS: See photos above. Call factory for special trim bar designs. See also series 530 & 574.

EMERGENCY BATTERY PACK: Remote mounted EBP, specify REM. Integral EBP available with 24" size. Specify IEM.



NOTE: Lamping for the IEM is 2-T5/14.

MOUNTING: Standard J-box or plaster ring.

WEIGHT: 12" 5lbs
 16" 7lbs
 24" 10lbs

VARIATIONS / MODIFICATIONS

- Special finishes
- Special sizes
- Alternate trim bar designs.
- Addition of decorative detail
- Custom laser cut patterned overlays

SPEC GUIDE SAMPLE SPEC: 774-24-2-T5/14-120-SGW-IEM

CAT#	SIZE	LAMPING	VOLT	FINISH	OPTION
<input type="checkbox"/> 774	<input type="checkbox"/> 12	<input type="checkbox"/> CF2/13	<input type="checkbox"/> 120	<input type="checkbox"/> SGB	<input type="checkbox"/> REM
	<input type="checkbox"/> 16	<input type="checkbox"/> CF2/26	<input type="checkbox"/> 277	<input type="checkbox"/> SGW	<input type="checkbox"/> IEM
	<input type="checkbox"/> 24	<input type="checkbox"/> CF2/27		<input type="checkbox"/> SGS	(24" only)
		<input type="checkbox"/> CF1/40		<input type="checkbox"/> SGBZ	<input type="checkbox"/> VTB
		<input type="checkbox"/> 2-T5/14		<input type="checkbox"/> CCP	<input type="checkbox"/> VTB/PERF
		(only lamps with IEM)			

