



773-20 shown in Semi-gloss silver finish.

**773-22**  
**773-30**  
**773-40**

**LUMINOUS HALF CYLINDER**

**ADA**

**WET LOCATION**

Design  
Sustainability  
Value



print this page



email this page to a colleague



installation instructions



interactive submittal drawing

**COMPANIONS**



**FEATURES**

- ADA compliant.
- Crisp, classic design
- Available in three lengths.
- Available with decorative trim bar.
- For interior use, see 573.

**ECO INFO**

**METALS:** Die cast top and bottom are made from 100% recycled aluminum. Other aluminum parts have the highest available recycled content for lower embodied energy. All metals are valuable and recyclable at the end of the product's useful life. For more information see "GENERAL INFO"

**FINISHING:** Paint finishes are low VOC and oven cured.

**ENERGY:** Designed exclusively for low energy fluorescent lamps using HPF electronic ballasts.

**MATERIALS**

- Solid aluminum metalwork.
- Luminous shield is extruded white acrylic with a matte finish.

**FINISHES**

- SGB** Semi-gloss black
- SGW** Semi-gloss white
- SGS** Semi-gloss silver
- SGBZ** Semi-gloss bronze
- CCP** Custom Color Painted finish

**LAMPING**

773-20: 1-CF39TT, 2GII base.  
773-30: 2-T5/14W or 2-T5/24HO.  
773-40: 2-T5/21W or 2-T5/39HO.  
Lamps not included.

**BALLAST**

Integral electronic HPF, 120V/277V.  
See "GENERAL INFO" for more detail.





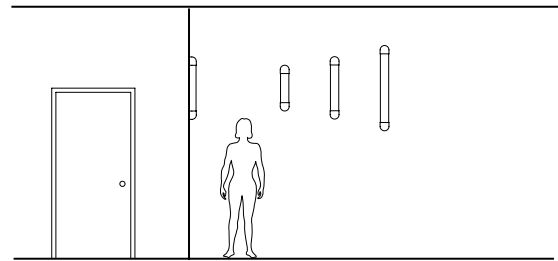
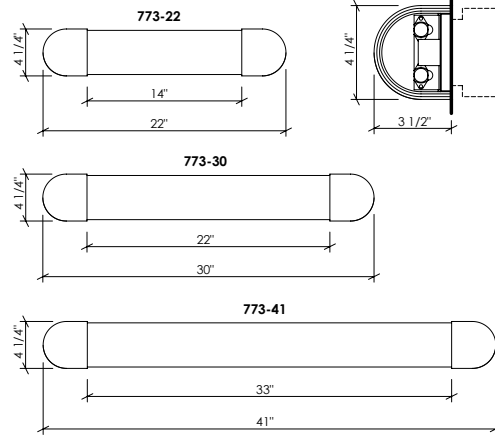
773-20 shown in semi-gloss Bronze with optional trim bar.



773-40 shown in semi-gloss white.

**773-22**  
**773-30**  
**773-40**  
**WET LOCATION**  
**ADA**

NOTE: FIXTURE REQUIRED 3" Ø PLASTER RING OR SWITCH BOX



**OPTIONS**

**TRIM BARS:** See photo above. Specify VTB. Call factory for special trim bar designs.

**EMERGENCY BATTERY PACK:** Remote mounted EBP specify REM.

**NOTE:** For wet locations fixture must be mounted vertically. Horizontal mounting is OK for damp locations.

**MOUNTING:** Standard J-box or plaster ring.

**WEIGHT:** 20" 5lbs  
 30" 7lbs  
 40" 10lbs

**VARIATIONS / MODIFICATIONS**

- Special finishes.
- Special sizes.
- Alternate trim bar designs.
- Addition of decorative detail.

**SPEC GUIDE** SAMPLE SPEC: 773-22-T5/24-SAL-TB

CAT#	SIZE	LAMPING	VOLT	FINISH	OPTION
<input type="checkbox"/> 773	<input type="checkbox"/> 20	<input type="checkbox"/> CF1/39	<input type="checkbox"/> 120	<input type="checkbox"/> SGB	<input type="checkbox"/> REM
	<input type="checkbox"/> 30	<input type="checkbox"/> 2-T5/14	<input type="checkbox"/> 277	<input type="checkbox"/> SGW	<input type="checkbox"/> VTB
	<input type="checkbox"/> 40	<input type="checkbox"/> 2-T5/24H0		<input type="checkbox"/> SGS	
		<input type="checkbox"/> 2-T5/21		<input type="checkbox"/> SGBZ	
		<input type="checkbox"/> 2-T5/39H0		<input type="checkbox"/> CCP	

