



Shown in Natural Bronze with hexcel louver.



# 732

## HALF PYRAMID DOWNLIGHT WET LOCATION

Design  
Sustainability  
Value



print this page



email this page to a colleague



installation instructions



interactive submittal drawing

### FEATURES

- Classic half-pyramid.
- Cutoff design combined with low glare.
- Electronic ballast for CF and MH lamping.
- Available with photocell.

### ECO INFO

**METALS:** Hood is made from bronze with 90% recycled content, stainless steel or for painted finishes, aluminum with 30-40% recycled content. Backplate is made from 100% recycled aluminum. All metals are valuable and recyclable at the end of the product's useful life. For more information see "GENERAL INFO"

**FINISHING:** Solid, natural metal finishes for the hood are hand satined. No paint or lacquer is used in order to avoid pollution associated with the manufacture and application of these substances. Paint finishes are low VOC and oven cured..

**ENERGY:** Designed exclusively for low energy compact fluorescent and metal halide lamps using HPF electronic ballasts.

### MATERIALS

- Solid bronze, aluminum or stainless steel hood. Cast aluminum backplate.
- High transmission clear refractive acrylic for CF lamping.
- Aluminum hexcel louver.
- Refractive tempered glass for MH lamping.

### FINISHES

- NBZ** Natural Bronze
- SSS** Satin Stainless Steel
- SGB** Semi-Gloss Black
- SGW** Semi-Gloss White
- SGBZ** Semi-Gloss Bronze
- SGS** Semi-Gloss Silver
- CCP** Custom Color Painted finish

*Learn more about  
Natural Bronze  
click here*

### LAMPING

Fluorescent: 1-CF26, 32W or 42WTTT, GX24q base  
Metal Halide: 1 70W or 100W medium base ED17  
Lamps not included.

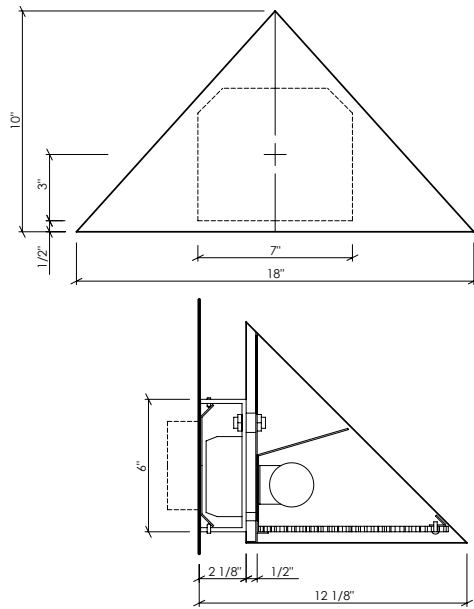
### BALLAST

Integral electronic HPF, 120V/277V.  
See "GENERAL INFO" for more detail.



Shown in Satin SS with optional acrylic lens.

## 732 WET LOCATION



### OPTIONS

#### LENS:

CF: High transmission clear refractive acrylic or optional hexcel louver with black finish specify **HXL**.

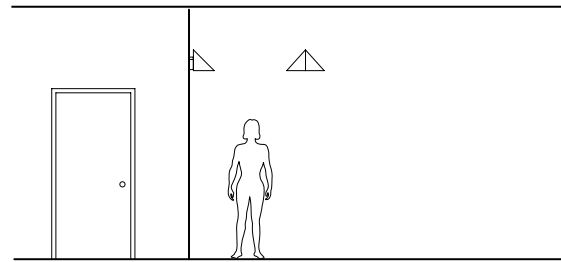
**NOTE:** The optional hexcel open cell louver offers lower glare, and higher output.

MH: Refractive tempered glass or optional hexcel louver with black finish **HXL**.

**NOTE:** The optional hexcel louver requires an open fixture rated lamp.

**PHOTOCELL:** For photocell specify **PH**.

**EMERGENCY BATTERY PACK:** Remote mounted EBP, specify **REM**.



**NOTE:** This fixture is suitable for wet or dry locations. For wet locations use only as a downlight.

**MOUNTING:** Standard J-box or plaster ring.

**WEIGHT:** 8lbs

### VARIATIONS / MODIFICATIONS

- Special finishes
- Special sizes

## SPEC GUIDE SAMPLE SPEC: 732-CF1/42-120-SGB-IEM

CAT#	LAMPING	VOLT	FINISH	OPTION
<input type="checkbox"/> 732	<input type="checkbox"/> CF1/26	<input type="checkbox"/> 120	<input type="checkbox"/> NBZ	<input type="checkbox"/> HXL
	<input type="checkbox"/> CF1/32	<input type="checkbox"/> 277	<input type="checkbox"/> SSS	<input type="checkbox"/> PH
	<input type="checkbox"/> CF1/42		<input type="checkbox"/> SGB	<input type="checkbox"/> REM
	<input type="checkbox"/> MH 70		<input type="checkbox"/> SGW	
	<input type="checkbox"/> MH 100		<input type="checkbox"/> SGBZ	
			<input type="checkbox"/> SGS	
			<input type="checkbox"/> CCP	

Learn more about  
Natural Bronze  
[click here](#)

