



DESIGN: RANDY BORDEN

Shown in Natural Bronze.



712

LUMINOUS SHIELD WET LOCATION

ADA

Design
Sustainability
Value



print this page



email this page to a colleague



installation instructions



interactive submittal drawing



application photos

FEATURES

- ADA compliant
- Bold design features natural metals
- Available with optional perf shield (ADA)

ECO INFO

METALS: Metal parts have the highest available recycled content for lower embodied energy and are valuable and recyclable at the end of the products useful life. For more information see "GENERAL INFO"

FINISHING: Solid, natural metal finishes are hand satined. No paint or lacquer is used in order to avoid pollution associated with the manufacture and application of these substances. Paint finishes are low VOC and oven cured..

ENERGY: Designed exclusively for compact fluorescent lamps using HPF electronic ballasts.

MATERIALS

- Solid bronze or stainless steel metalwork.
- Luminous shield is white acrylic.

FINISHES

- NBZ** Natural Bronze
- SSS** Satin Stainless Steel
- CCP** Custom Color Painted finish

*Learn more about
Natural Bronze
click here*

Standard metal finishes are hand satined. Other metal finishes are available. Contact factory.

LAMPING

2-CF13TT,2Gx7 base or 2-CF26W DTT, G24q base. Lamps not included.

BALLAST

Integral electronic HPF, 120V/277V. See "GENERAL INFO" for more detail.



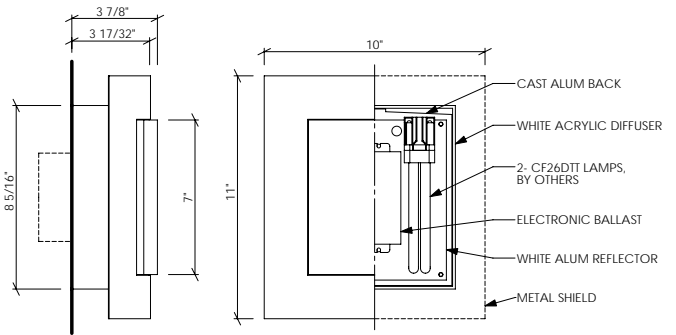


Shown in Satin SS with optional perf shield.

712

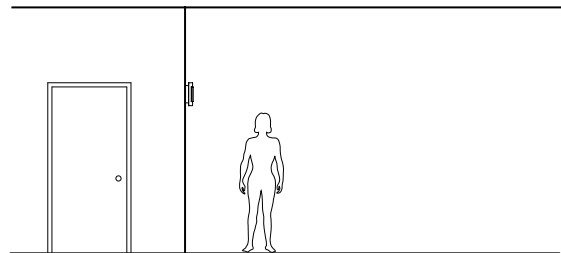
WET LOCATION

ADA



OPTIONS

SHIELD: Perforated metal shield available shown above, specify **PERFNBZ** or **PERFSSS**. (ADA compliant.)



VARIATIONS / MODIFICATIONS

- Special finishes
- Addition of decorative detail
- Custom laser cut patterned overlays

MOUNTING: Standard J-box or plaster ring.

WEIGHT: 3lbs

SPEC GUIDE

SAMPLE SPEC: 712-CF2/13-120-SSS-PERFSSS

CAT#	LAMPING	VOLT	FINISH	OPTION
<input type="checkbox"/> 712	<input type="checkbox"/> CF2/13	<input type="checkbox"/> 120	<input type="checkbox"/> NBZ	<input type="checkbox"/> PERFNBZ
	<input type="checkbox"/> CF2/26	<input type="checkbox"/> 277	<input type="checkbox"/> SSS	<input type="checkbox"/> PERFSSS
			<input type="checkbox"/> CCP	

*Learn more about
Natural Bronze
click here*

