



DESIGN: RANDY BORDEN

160-8 shown in Satin Aluminum and with hexcel louver



# 160-8 160-12 **LEM**

**DIRECT/INDIRECT RING**

Design  
Sustainability  
Value



print this page



email this page to a colleague



installation instructions



interactive submittal drawings

## COMPANION



## FEATURES

- Direct/Indirect Lighting.
- Concentric ring geometry.
- Available in two sizes.
- Optional acrylic lamp baffle.
- Tool-free relamping.

## MATERIALS

- Solid aluminum metal work, hand finished
- Aluminum hexcel louver

## FINISHES

- SAL** Satin Aluminum
- MW** Matte White
- CCP** Custom Color Painted finish

Aluminum finish is hand satined and waxed.

## LAMPING

160-8: 1-CF26 or 32WTTT, Gx24q base.  
160-12: 2-CF26WTTT, Gx24q base.  
Lamps not included.

## BALLAST

Integral electronic HPF, 120V/277V.  
See "GENERAL INFO" for more detail.

## ECO INFO

**METALS:** Aluminum with the highest available recycled content for lower embodied energy. Aluminum is valuable and recyclable at the end of the product's useful life. For more information see "GENERAL INFO"

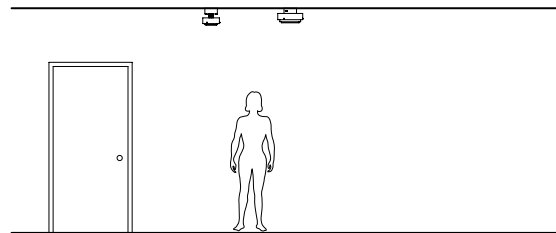
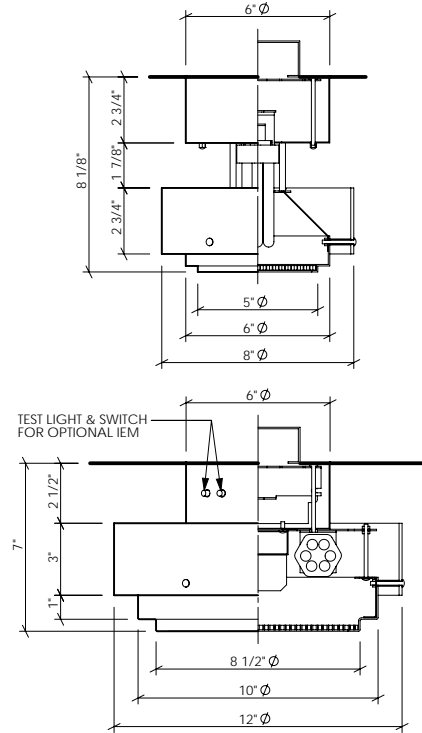
**FINISHING:** Solid, natural metal finishes are sealed with a hand-applied bees wax. No paint or lacquer is used in order to avoid pollution associated with the manufacture and application of these substances. Satin Brass is clear-coated with a very low VOC water-based coating. Paint finishes are low VOC and oven cured.

**ENERGY:** Designed exclusively for compact fluorescent lamps using HPF electronic ballasts.



160-12 Shown in Satin Aluminum.

# 160-8 160-12 **IEM**



## OPTIONS

**ACRYLIC LENS:** Available with white acrylic bottom lens, specify AL.

**ACRYLIC LAMP BAFFLE:** 160-8 available with frosted clear acrylic to block sightline to upper part of lamp, specify AB.

**DIMMING:** Available electronic ballast with a dimming range of 100-15%, 120-volt only. Ballast dimmable from any incandescent dimmer. Other dimming ballast available.

**EMERGENCY BATTERY PACK:** Remote mounted EPB, for 160-8, specify REM. Integral EPB available for 160-12, Specify IEM.

**MOUNTING:** Standard J-box or plaster ring.

**WEIGHT:** 160-8: 4lbs  
160-12: 6lbs

## SPEC GUIDE SAMPLE SPEC: 160-8-CF1/26-120-SAL-AL

CAT#	SIZE	LAMPING	VOLT	FINISH	OPTION
<input type="checkbox"/> 160	<input type="checkbox"/> 8 <input type="checkbox"/> 12	<input type="checkbox"/> CF1/26 <input type="checkbox"/> CF1/32 <input type="checkbox"/> CF2/26	<input type="checkbox"/> 120 <input type="checkbox"/> 277 <input type="checkbox"/> 120DIM	<input type="checkbox"/> SAL <input type="checkbox"/> MW <input type="checkbox"/> CCP	<input type="checkbox"/> REM <input type="checkbox"/> IEM <input type="checkbox"/> AL <input type="checkbox"/> AB (160-8 only)

## VARIATIONS / MODIFICATIONS

- Special finishes
- Addition of decorative detail

**NOTE:** Standard electronic ballast is multi-volt and multi-wattage. 160-8 will accommodate 26 or 32 watt lamps. 160-12 available only for 2-26W.

