



Shown in Satin Aluminum



122-16 122-20

LUMINOUS BOWL

Design
Sustainability
Value



print this page



email this page to a colleague



installation instructions



interactive submittal drawing

COMPANION



FEATURES

- Transitional design fits contemporary and traditional spaces.
- Available in two sizes.
- Tool-free relamping.

MATERIALS

- Solid brass or aluminum metal work, hand finished
- Luminous bowl is white acrylic with a matte finish.

FINISHES

- SAL** Satin Aluminum
- SB** Satin Brass
- AB** Antique Brass
- CCP** Custom Color Painted finish

Standard metal finishes are hand satined and either waxed or sealed with a water-based clear coat. Other metal finishes are available. Contact factory.

LAMPING

122-16: 2-CF26WDTT or 2-CF32WTTT, Gx24q base
122-20: 2-CF26WDTT, 32, 42 or 57WTTT, Gx24q base
Lamp not included.

BALLAST

Integral electronic HPF, 120V/277V.
See "GENERAL INFO" for more detail.

ECO INFO

METALS: Aluminum and brass with the highest available recycled content for lower embodied energy. Both metals are valuable and recyclable at the end of the product's useful life. For more information see "GENERAL INFO"

FINISHING: Aluminum and Antique Brass finishes are sealed with a hand-applied bees wax. No paint or lacquer is used in order to avoid pollution associated with the manufacture and application of these substances. Satin Brass is clear-coated with a very low VOC water-based coating. Paint finishes are low VOC and oven cured.

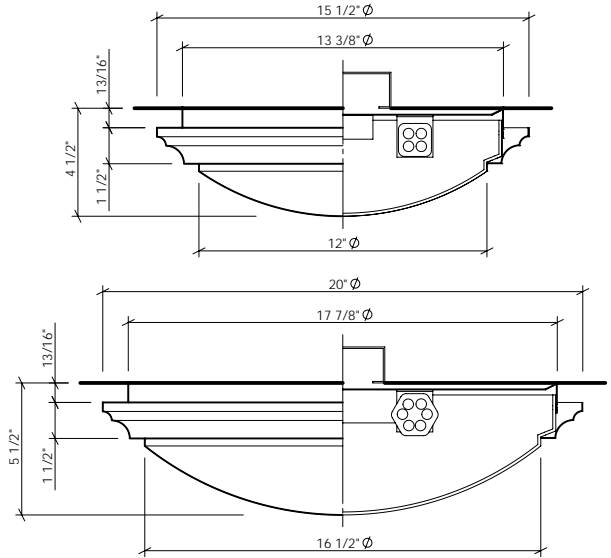
ENERGY: Designed exclusively for compact fluorescent lamps using HPF electronic ballasts.





Shown in Antique Brass.

122-16 122-20

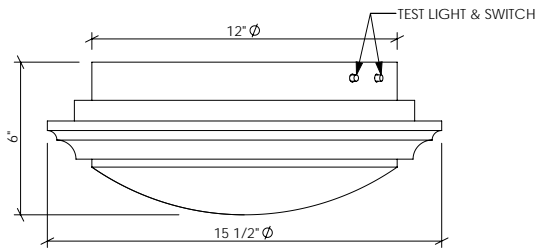


OPTIONS

FAUX: Hand applied faux alabaster finish available, specify **FAUX**.

DIMMING: Electronic dimming ballast available.

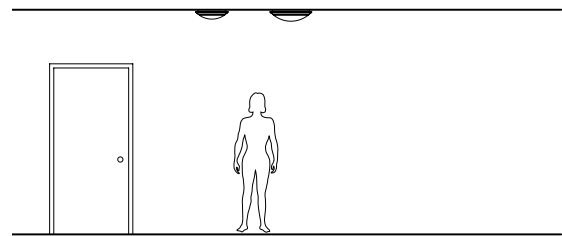
EMERGENCY BATTERY PACK: Integral **EBP** with addition of 1 1/4 inch deep collar available for 120-16 and 120-20. Specify **IEM**. For 120-12 EBP is remote mounted. Specify **REM**.



EBP CONFIGURATION

MOUNTING: Standard J-box or plaster ring.

WEIGHT: 5 lbs



VARIATIONS / MODIFICATIONS

- Special finishes
- Addition of decorative detail, such as finials.

SPEC GUIDE SAMPLE SPEC: 122-16-CF2/26-120-SAL-FAUX

CAT#	SIZE	LAMPING	VOLT	FINISH	OPTION
<input type="checkbox"/> 122	<input type="checkbox"/> 16 <input type="checkbox"/> 20	<input type="checkbox"/> CF2/26 <input type="checkbox"/> CF2/32 <input type="checkbox"/> CF2/42 <input type="checkbox"/> CF2/57	<input type="checkbox"/> 120 <input type="checkbox"/> 277	<input type="checkbox"/> SAL <input type="checkbox"/> AB <input type="checkbox"/> SB <input type="checkbox"/> CCP	<input type="checkbox"/> FAUX <input type="checkbox"/> IEM <input type="checkbox"/> REM

