



Shown in Satin Aluminum



# 122-16 122-20

## LUMINOUS BOWL

Design  
Sustainability  
Value



print this page



email this page to a colleague



installation instructions



interactive submittal drawing

### COMPANION



### FEATURES

- Transitional design fits contemporary and traditional spaces.
- Available in two sizes.
- Tool-free relamping.

### MATERIALS

- Solid brass or aluminum metal work, hand finished
- Luminous bowl is white acrylic with a matte finish.

### FINISHES

- SAL** Satin Aluminum
- SB** Satin Brass
- AB** Antique Brass
- CCP** Custom Color Painted finish

Standard metal finishes are hand satined and either waxed or sealed with a water-based clear coat. Other metal finishes are available. Contact factory.

### LAMPING

122-16: 2-CF26WDTT or 2-CF32WTTT, Gx24q base  
122-20: 2-CF26WDTT, 32, 42 or 57WTTT, Gx24q base  
Lamp not included.

### BALLAST

Integral electronic HPF, 120V/277V.  
See "GENERAL INFO" for more detail.

### ECO INFO

**METALS:** Aluminum and brass with the highest available recycled content for lower embodied energy. Both metals are valuable and recyclable at the end of the product's useful life. For more information see "GENERAL INFO"

**FINISHING:** Aluminum and Antique Brass finishes are sealed with a hand-applied bees wax. No paint or lacquer is used in order to avoid pollution associated with the manufacture and application of these substances. Satin Brass is clear-coated with a very low VOC water-based coating. Paint finishes are low VOC and oven cured.

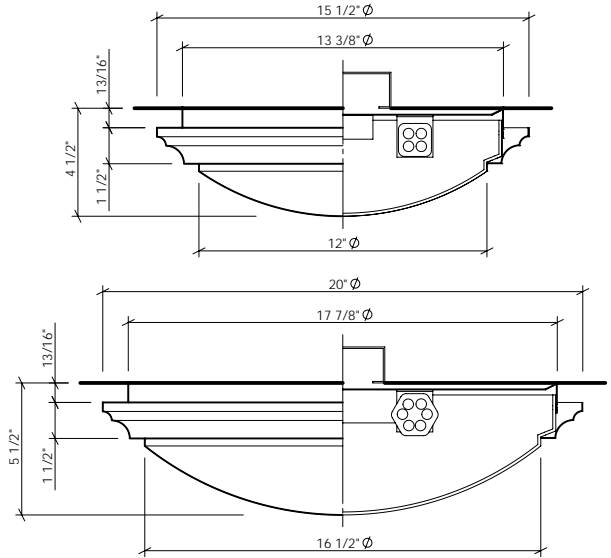
**ENERGY:** Designed exclusively for compact fluorescent lamps using HPF electronic ballasts.





Shown in Antique Brass.

# 122-16 122-20

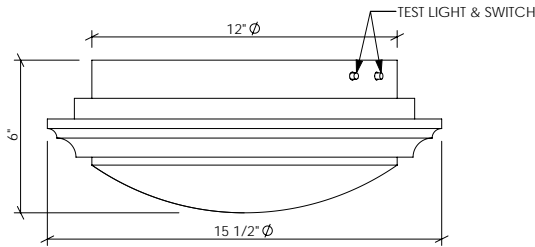


### OPTIONS

**FAUX:** Hand applied faux alabaster finish available, specify FAUX.

**DIMMING:** Electronic dimming ballast available.

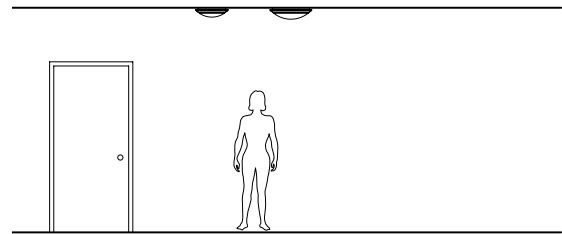
**EMERGENCY BATTERY PACK:** Integral EBP with addition of 1 1/4 inch deep collar available for 120-16 and 120-20. Specify IEM. For 120-12 EBP is remote mounted. Specify REM.



**EBP CONFIGURATION**

**MOUNTING:** Standard J-box or plaster ring.

**WEIGHT:** 5 lbs



### VARIATIONS / MODIFICATIONS

- Special finishes
- Addition of decorative detail, such as finials.

## SPEC GUIDE SAMPLE SPEC: 122-16-CF2/26-120-SAL-FAUX

CAT#	SIZE	LAMPING	VOLT	FINISH	OPTION
<input type="checkbox"/> 122	<input type="checkbox"/> 16 <input type="checkbox"/> 20	<input type="checkbox"/> CF2/26 <input type="checkbox"/> CF2/32 <input type="checkbox"/> CF2/42 <input type="checkbox"/> CF2/57	<input type="checkbox"/> 120 <input type="checkbox"/> 277	<input type="checkbox"/> SAL <input type="checkbox"/> AB <input type="checkbox"/> SB <input type="checkbox"/> CCP	<input type="checkbox"/> FAUX <input type="checkbox"/> IEM <input type="checkbox"/> REM

