



DESIGN: RANDY BORDEN

Shown in Satin Brass.



108-12 108-15 **LEM**

LUMINOUS DRUM

Design
Sustainability
Value



print this page



email this page to a colleague



installation instructions



interactive submittal drawing

FEATURES

- Low profile.
- T-5 circline lamps provide uniform luminosity.
- Available in two sizes.
- Solid machined finial.
- Tool-free relamping.

MATERIALS

- Solid brass or aluminum metal work, hand finished
- Luminous drum is white acrylic with a matte finish

FINISHES

- SAL** Satin Aluminum
- SB** Satin Brass
- AB** Antique Brass
- CCP** Custom Color Painted finish

Standard metal finishes are hand satined and either waxed or sealed with a water-based clear coat. Other metal finishes are available. Contact factory.

LAMPING

108-12: T5 22W only.
108-15: T5 40 or 55W
Lamp not included.

BALLAST

Integral electronic HPF, 120V/277V.
See "GENERAL INFO" for more detail.

ECO INFO

METALS: Aluminum and brass with the highest available recycled content for lower embodied energy. Both metals are valuable and recyclable at the end of the product's useful life. For more information see "GENERAL INFO"

FINISHING: Aluminum and Antique Brass finishes are sealed with a hand-applied bees wax. No paint or lacquer is used in order to avoid pollution associated with the manufacture and application of these substances. Satin Brass is clear-coated with a very low VOC water-based coating. Paint finishes are low VOC and oven cured.

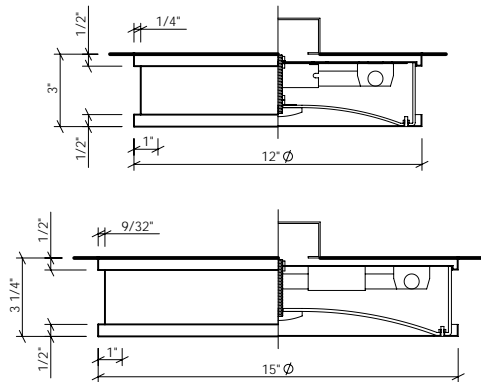
ENERGY: Designed exclusively for T5 circline fluorescent lamps using HPF electronic ballasts.





108-12
108-15 IEM

Shown in Satin Aluminum with optional Vertical Trim.



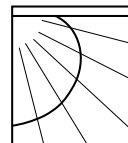
OPTIONS

FAUX: Hand applied faux alabaster finish available.

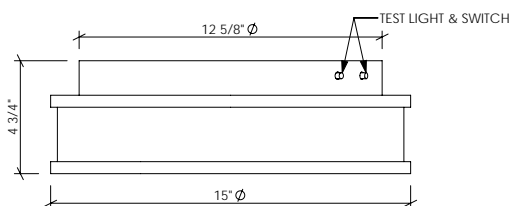
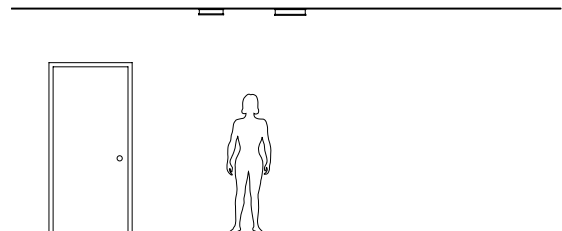
VERTICAL TRIM: Vertical trim bars at 1/3 points. Specify VTB

DIMMING: Electronic dimming ballast available.

EMERGENCY BATTERY PACK: Integral EBP with addition of 1 1/2 inch deep collar. Specify IEM. (108-15 ONLY)



PHOTOMETRICS
 Lighting Sciences Report 22411
 Fixture Efficiency: 49.7%



EBP CONFIGURATION

VARIATIONS / MODIFICATIONS

- Special finishes
- Addition of decorative detail

MOUNTING: Standard J-box or plaster ring.

WEIGHT: 5 lbs

SPEC GUIDE SAMPLE SPEC: 108-15-T5/40-120-CCP-FAUX

CAT#	SIZE	LAMPING	VOLT	FINISH	OPTION
<input type="checkbox"/> 108	<input type="checkbox"/> 12	<input type="checkbox"/> T5/22	<input type="checkbox"/> 120	<input type="checkbox"/> SAL	<input type="checkbox"/> FAUX
	<input type="checkbox"/> 15	<input type="checkbox"/> T5/40	<input type="checkbox"/> 277	<input type="checkbox"/> SB	<input type="checkbox"/> VTB
		<input type="checkbox"/> T5/55		<input type="checkbox"/> AB	<input type="checkbox"/> IEM
				<input type="checkbox"/> CCP	

