



Shown in satin aluminum.

# 104-14 104-18 **LEM**

## DRUM DOWNLIGHT

Design  
Sustainability  
Value



print this page



email this page to a colleague



installation instructions



interactive submittal drawing

### COMPANIONS



### FEATURES

- Classic drum shape available with a variety of hand finished natural metals.
- Available in two sizes with several lamping options.
- 18" size available with an integral emergency battery pack.

### MATERIALS

- Solid brass, bronze or aluminum metal work, hand finished.
- White acrylic bottom lens.

### FINISHES

<b>SAL</b> Satin Aluminum	<b>SBZ</b> Satin Bronze
<b>SB</b> Satin Brass	<b>OBJZ</b> Oxidized Bronze
<b>AB</b> Antique Brass	<b>SSS</b> Satin Stainless Steel
<b>CCP</b> Custom Color Painted finish	<b>MW</b> Matte White

Standard metal finishes are hand satined and either waxed or sealed with a water-based clear coat. Other metal finishes are available. Contact factory.

### LAMPING

104-14: 2-CF13QTT, G24q base or 2-26TTT, G24q base.  
104-18: 2-26, 32 or 42WTTT, Gx24q base.

### BALLAST

Integral electronic HPF, 120V/277V.  
See "SPEC GUIDE" for more detail.

### ECO INFO

**METALS:** All metals have the highest available recycled content for lower embodied energy; all metals are valuable and recyclable at the end of the product's useful life. For more information see our website.

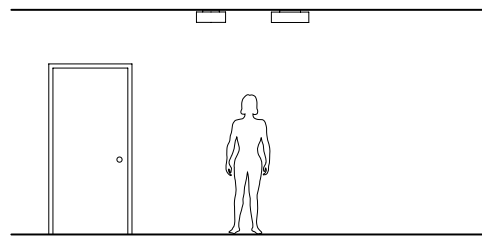
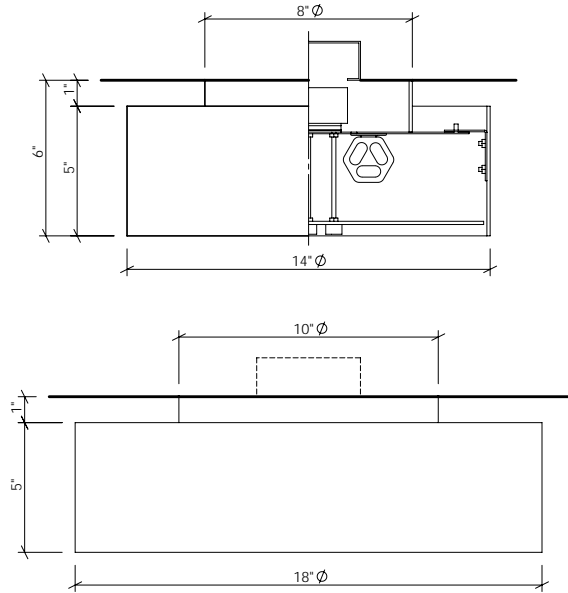
**FINISHING:** Aluminum, Antique Brass and Oxidized Bronze sealed with a hand-applied bees wax. No paint or lacquer is used in order to avoid pollution associated with manufacture and application of these substances. Satin Brass and Bronze are clear-coated with a very low VOC water-based coating. Paint finishes are low VOC and oven cured.

**ENERGY:** Designed exclusively for compact fluorescent lamps using HPF electronic ballasts.



Shown in satin bronze.

# 104-14 104-18 **IEM**



## OPTIONS

**DIMMING:** For 2-CF26W lamping only, available electronic ballast with a dimming range of 100-15%, 120 volt only. Ballast dimmable from any incandescent dimmer. Other dimming ballasts available.

**EMERGENCY BATTERY PACK:** Remote mounted EBP for 104-14. Integral EBP available for 108-18, specify **IEM**.

**MOUNTING:** Standard J-box or plaster ring.

**WEIGHT:** 5 lbs

## VARIATIONS / MODIFICATIONS

- Special finishes
- Addition of decorative detail

## SPEC GUIDE SAMPLE SPEC: 104-18-CF2/32-277-SBZ-IEM

CAT#	SIZE	LAMPING	VOLT	FINISH	OPTION
<input type="checkbox"/> 104	<input type="checkbox"/> 14 <input type="checkbox"/> 18	<input type="checkbox"/> CF2/13 <input type="checkbox"/> CF2/26 <input type="checkbox"/> CF2/32 <input type="checkbox"/> CF2/42	<input type="checkbox"/> 120 <input type="checkbox"/> 277 <input type="checkbox"/> 120DIM	<input type="checkbox"/> SAL <input type="checkbox"/> SB <input type="checkbox"/> AB <input type="checkbox"/> SBZ <input type="checkbox"/> OXBZ <input type="checkbox"/> SSS <input type="checkbox"/> CCP <input type="checkbox"/> MW	<input type="checkbox"/> IEM

