



DESIGN: DAVID MALMAN

551

INDIRECT SCONCE

ADA



Design
Sustainability
Value



print this page



email this page to a colleague

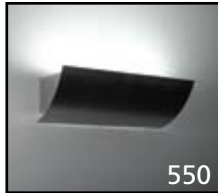


installation instructions



interactive submittal drawing

COMPANIONS



FEATURES

- Clean, simple design is ADA compliant.
- Optional graphics & logos.
- Tool-free relamping.

ECO INFO

METALS: Sand cast aluminum end caps are made from 100% recycled aluminum. Other aluminum parts have the highest available recycled content for lower embodied energy and are valuable and recyclable at the end of the product's useful life. For more information see "GENERAL INFO."

FINISHING: Solid, natural metal finishes are sealed with a hand-applied bees wax. No paint or lacquer is used in order to avoid pollution associated with the manufacture and application of these substances. Clear coat finishes are available. Paint finishes are low VOC and oven cured.

ENERGY: Designed exclusively for compact fluorescent lamps using HPF electronic ballasts.

MATERIALS

- Sand cast aluminum with 100% recycled content, hand finished.
- Solid aluminum shield, hand finished.

FINISHES

SAL Satin Aluminum

MW Matte White

CCP Custom Color Painted finish

Standard metal finishes are hand satined and waxed. Other metal finishes are available. Contact factory.

LAMPING

1-CF26W DTT, CF32W or CF42WTTT, Gx24q base.

Lamps not included.

BALLAST

Integral electronic HPF, 120V/277V.

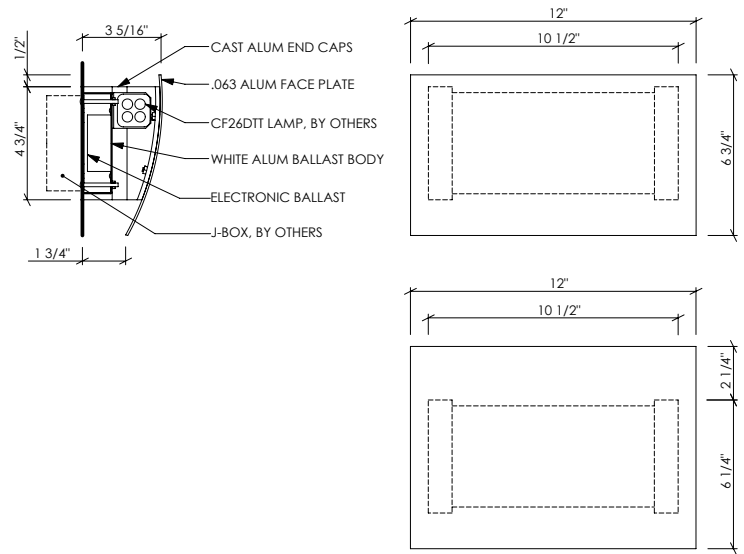
See "GENERAL INFO" for more detail.





Shown with Tall Shield & graphics laser cut.

551 INDIRECT SCONCE



Tall Shield option

OPTIONS

TALL SHIELD: Available with an 8 1/2" high shield. Specify **TS**. Call factory for laser cut graphics.

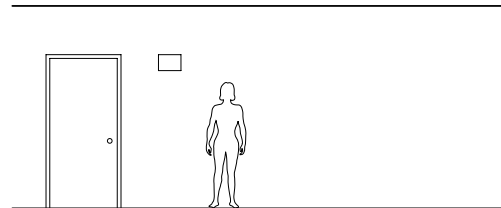
DIMMING: Available electronic ballast with a dimming range of 100-15%, 120 volt only. Ballast dimmable from any incandescent dimmer. (Dims 26, 32 & 42W lamps.) Other dimming ballasts available.

NORMAL POWER FACTOR BALLAST: This fixture is available with an NPF 120 volt electronic ballast only for 26W lamp at a lower cost. Specify **120NPF**

EMERGENCY BATTERY PACK: Remote mounted EBP, specify **REM**.

MOUNTING: Standard J-box or plaster ring.

WEIGHT: 4 lbs



VARIATIONS / MODIFICATIONS

- Special finishes
- Addition of decorative detail
- Laser cut decorative patterns.

NOTE: Standard electronic ballast is multi-volt and multi-wattage. Fixture will accommodate 26, 32 or 42 watt lamps.

SPEC GUIDE SAMPLE SPEC: 551-CF1/26-120-SAL

CAT#	LAMPING	VOLT	FINISH	OPTION
<input type="checkbox"/> 551	<input type="checkbox"/> CF1/26	<input type="checkbox"/> 120	<input type="checkbox"/> SAL	<input type="checkbox"/> TS
	<input type="checkbox"/> CF1/32	<input type="checkbox"/> 277	<input type="checkbox"/> MW	<input type="checkbox"/> REM
	<input type="checkbox"/> CF1/42	<input type="checkbox"/> 120DIM	<input type="checkbox"/> CCP	
		<input type="checkbox"/> 120NPF		



1999 Montague St • San Leandro, CA 94577 • ph 510.357.0171 • fax 510.357.3832 • www.bordenlighting.com

