



DESIGN: DAVID MALMAN

550

INDIRECT SCONCE



Design
Sustainability
Value



print this page



email this page to a colleague



installation instructions



interactive submittal drawing

COMPANIONS



551



552



FEATURES

- Simple, clean design fits many architectural styles.
- Strong uplight balanced by a spill of downlight.
- Tool-free relamping.

ECO INFO

METALS: Sand cast aluminum end caps are made from 100% recycled aluminum. Other aluminum parts have the highest available recycled content for lower embodied energy and are valuable and recyclable at the end of the product's useful life. For more information see "GENERAL INFO."

FINISHING: Solid, natural metal finishes are sealed with a hand-applied bees wax. No paint or lacquer is used in order to avoid pollution associated with the manufacture and application of these substances. Clear coat finishes are available. Paint finishes are low VOC and oven cured.

ENERGY: Designed exclusively for compact fluorescent lamps using HPF electronic ballasts.

MATERIALS

- Sand cast aluminum with 100% recycled content, hand finished.
- Solid aluminum shield, hand finished.

FINISHES

SAL Satin Aluminum

MW Matte White

CCP Custom Color Painted finish

Standard metal finishes are hand satined and waxed. Other metal finishes are available. Contact factory.

LAMPING

2-CF26DTT, CF32 or 42TTT, Gx24q base.

Lamps not included.

BALLAST

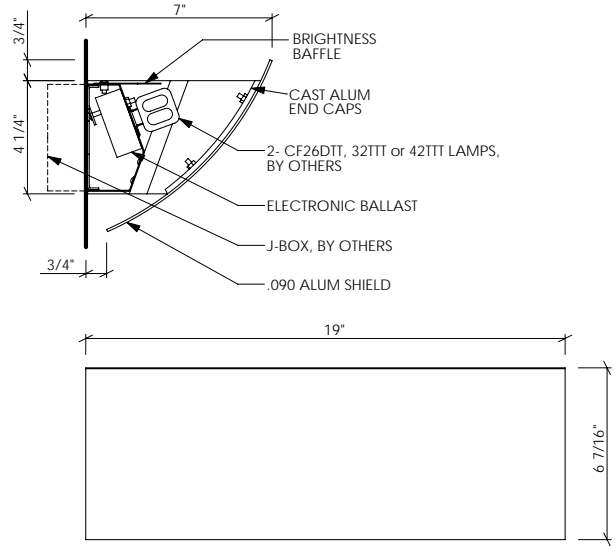
Integral electronic HPF, 120V/277V.

See "GENERAL INFO" for more detail.



550

INDIRECT SCONCE

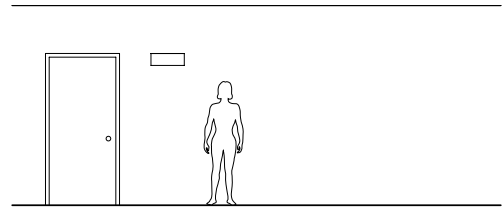


OPTIONS

DIMMING: Available electronic ballast with a dimming range of 100-15%, 120 volt for 26w only. Ballast dimmable from any incandescent dimmer. Other dimming ballasts available.

NORMAL POWER FACTOR BALLAST: This fixture is available with an NPF 120 volt electronic ballast only for 26W lamp at a lower cost. Specify **120NPF**

EMERGENCY BATTERY PACK: Available with an integral EBP, specify IEM.



VARIATIONS / MODIFICATIONS

- Special finishes
- Addition of decorative detail
- Special lengths

MOUNTING: Standard J-box or plaster ring.

WEIGHT: 4 lbs

SPEC GUIDE SAMPLE SPEC: 550-CF2/26-120-SAL

CAT#	LAMPING	VOLT	FINISH	OPTION
<input type="checkbox"/> 550	<input type="checkbox"/> CF2/26	<input type="checkbox"/> 120	<input type="checkbox"/> SAL	<input type="checkbox"/> IEM
	<input type="checkbox"/> CF2/32	<input type="checkbox"/> 277	<input type="checkbox"/> MW	
	<input type="checkbox"/> CF2/42	<input type="checkbox"/> 120DIM	<input type="checkbox"/> CCP	
		<input type="checkbox"/> 120NPF		

