

UPDATED 5/12

520-14 LED

520-18 LED

521 ADA



LUMINOUS SCONCE

Design
Sustainability
Value



521 shown.



print this page



email this page to a colleague

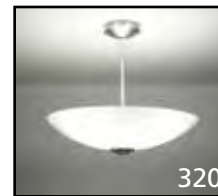
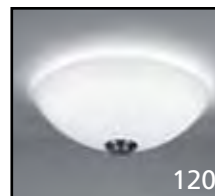


installation instructions

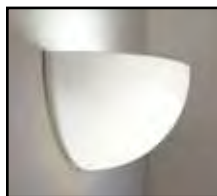


interactive submittal drawing

COMPANIONS



521



520

FEATURES

- 521 is ADA compliant.
- 520 available in two sizes.
- Simple shape fits many architectural styles.

ECO INFO

ENERGY: Designed exclusively for compact fluorescent lamps using HPF electronic ballasts or LEDs

MATERIALS

- Aluminum mounting plate.
- Vacuum formed acrylic diffuser with a matte finish.

FINISHES

NOTE: The only metal work visible is the mounting plate which has a matte white finish. Other metal finishes are available. Contact factory.

LAMPING

520-14 or 18: 2-CF13DTT, G4q base or 2-CF2/26TTT, Gx24q base.

521: 2-CF13DTT, G24q base.

Lamps not included.

LED: For both the 520 & 521: 1-GU24 base A19, 13.5W, 800 lumens, 3000K and triac dimmable. Supplied with fixture.

BALLAST/DRIVER

CF: Integral electronic HPF, 120V/277V.

See "GENERAL INFO" for more detail.

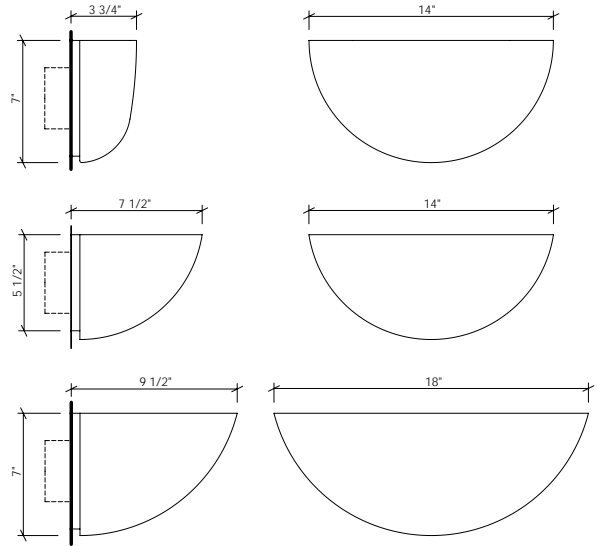
LED: Electronic driver is built into the lamp, 120V only.





520-14 shown.

520-14 520-18 521



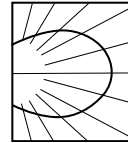
OPTIONS

FAUX: Hand applied faux finish available. Specify **FAUX**.

DIMMING: CF: Electronic dimming ballasts available. The 520-18 for 2-26W lamps is available with our standard electronic dimming ballast with a dimming range of 100-15%, 120 volt only. Ballast dimmable with any incandescent dimmer. **LED:** Dimmable with any incandescent dimmer.

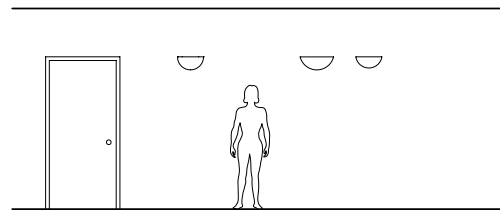
NORMAL POWER FACTOR BALLAST: These fixtures are available with a NPF 120 volt electronic ballast at a lower cost. Specify **120NPF**

EMERGENCY BATTERY PACK: Remote mounted EB, specify **REM**.



PHOTOMETRICS FOR 521

Lighting Sciences Report No. 26215
Fixture efficiencies 68.1%



MOUNTING: Standard J-box or plaster ring.

WEIGHT: 3lbs

VARIATIONS / MODIFICATIONS

- Special finishes
- Addition of decorative detail

SPEC GUIDE SAMPLE SPEC: 521-CF2/13-120-MW-FAUX

CAT#	SIZE	LAMPING	VOLT	FINISH	OPTION
<input type="checkbox"/> 520	<input type="checkbox"/> 14	<input type="checkbox"/> CF2/13	<input type="checkbox"/> 120	<input type="checkbox"/> MW	<input type="checkbox"/> FAUX
<input type="checkbox"/> 521	<input type="checkbox"/> 18	<input type="checkbox"/> CF2/26	<input type="checkbox"/> 277		<input type="checkbox"/> REM
	Note: 521 only available 14"	<input type="checkbox"/> LED1/13.5	<input type="checkbox"/> 120NPF		
			<input type="checkbox"/> 120DIM		



Our fixtures are handcrafted here in the USA using the highest quality materials.



999 Montague St • San Leandro, CA 94577 • ph 510.357.0171 • fax 510.357.3832 • www.bordenlighting.com